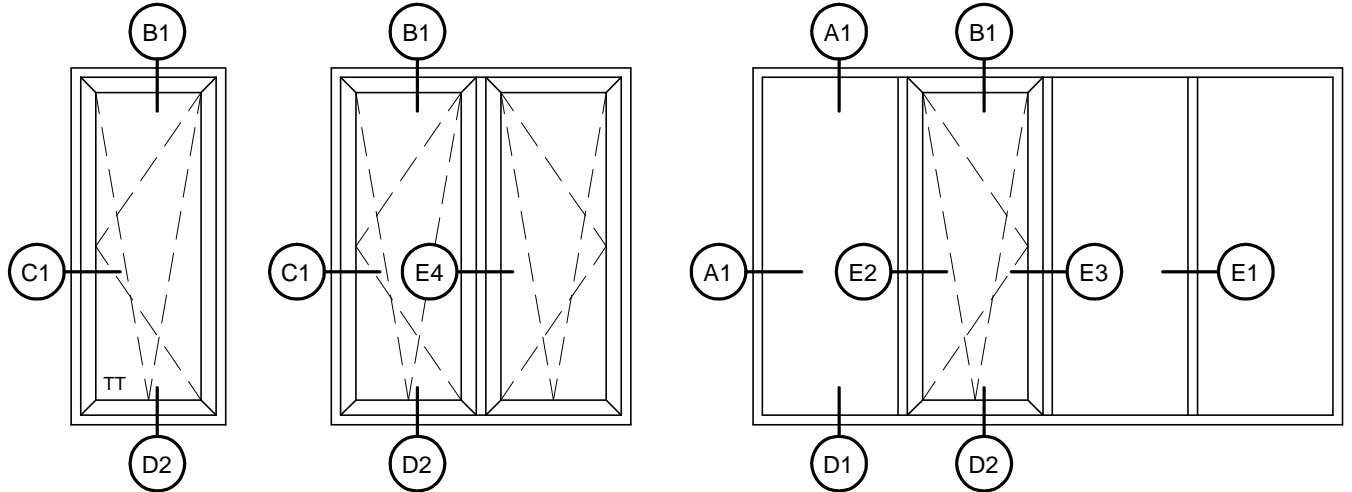




TILT AND TURN SASH 1950 SERIES IN 1800 (76mm) SERIES FRAMING.....	PAGE 2
-DETAILS FOR HEAD AND SILL	PAGE 3
-DETAILS FOR VERTICAL MULLIONS	PAGE 3
TILT AND TURN SASH 1950 SERIES IN 1840 (102mm) SERIES FRAMING.....	PAGE 4
-DETAILS FOR HEAD AND SILL	PAGE 5
-DETAILS FOR VERTICAL MULLIONS	PAGE 6
TILT AND TURN SASH 1950 SERIES IN 1860 (152mm) SERIES FRAMING.....	PAGE 7
-DETAILS FOR HEAD AND SILL	PAGE 8
-DETAILS FOR VERTICAL MULLIONS	PAGE 9



LEGEND

-TT : TILT AND TURN

: NAME FOR AUTOCAD

GENERAL NOTE

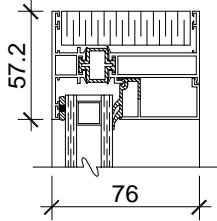
-DETAILS ARE SUBJECT TO CHANGE WITHOUT NOTICE.
 -DIMENSIONS WILL NOT SHOW ON THESE FILES.
 PLEASE ADD THEM TO YOUR DRAWING ACCORDINGLY.

"MAXSEAL" SYSTEM

- "MAXSEAL" SYSTEM IS A NEW TYPE OF GLASS STOP
 ALLOWING BETTER PERFORMANCES BY MEANS OF THE
 RAIN SCREEN PRINCIPLE, EQUIVALENT TO THOSE
 OBTAINED WITH A SEAL BEAD. PATENT PENDING.

FIXED HEAD AND JAM SECTIONS

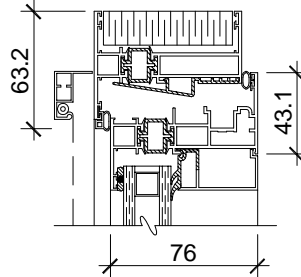
(A1)



80-310
file M310DT

HEAD SECTION WITH 1950 SASH

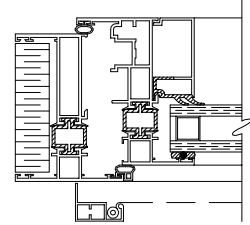
(B1)



80-310
file M310VOT

JAMB SECTIONS WITH 1950 SASH

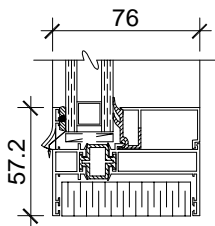
(C1)



80-310
file M310JVO

SILL SECTION FOR FIXED LIGHT

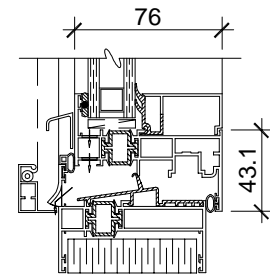
(D1)



80-310
file M310DB

SILL SECTIONS WITH 1950 SASH

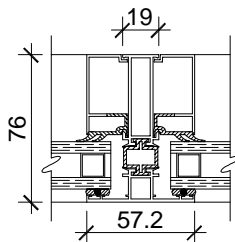
(D2)



80-310
file M310VOB

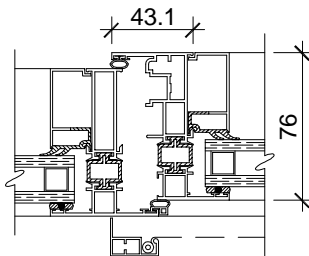
VERTICAL MULLION SECTIONS

(E1)



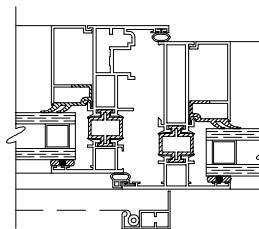
80-314
file M314DDH

(E2)



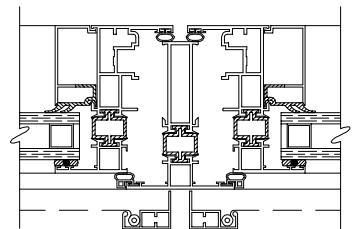
80-314
file M314DVOH

(E3)

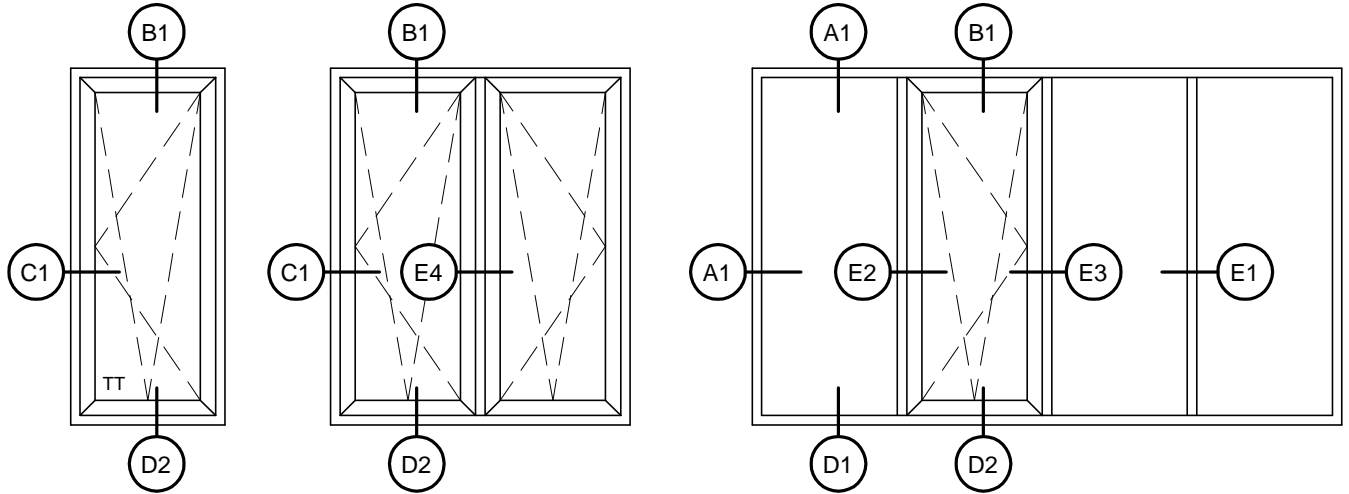


80-314
file M314VODH

(E4)



80-314
file M314VOOH



LEGEND

-TT : TILT AND TURN

[] : NAME FOR AUTOCAD

GENERAL NOTE

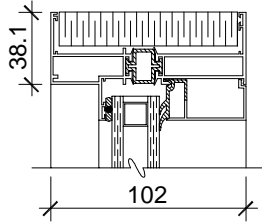
-DETAILS ARE SUBJECT TO CHANGE WITHOUT NOTICE.
 -DIMENSIONS WILL NOT SHOW ON THESE FILES.
 PLEASE ADD THEM TO YOUR DRAWING ACCORDINGLY.

"MAXSEAL" SYSTEM

- "MAXSEAL" SYSTEM IS A NEW TYPE OF GLASS STOP ALLOWING BETTER PERFORMANCES BY MEANS OF THE RAIN SCREEN PRINCIPLE, EQUIVALENT TO THOSE OBTAINED WITH A HEAL BEAD. PATENT PENDING.

FIXED HEAD AND JAM SECTIONS

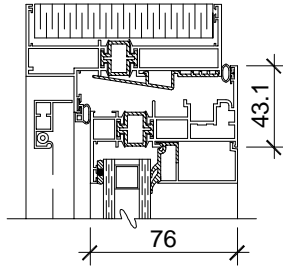
(A1)



80-412
file M412DT

HEAD SECTION WITH 1950 SASH

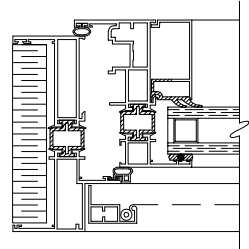
(B1)



80-412
file M412VOT

JAMB SECTIONS WITH 1950 SASH

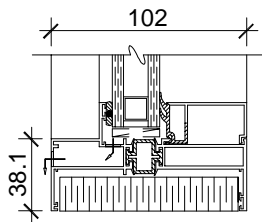
(C1)



80-412
file M412JVO

SILL SECTION FOR FIXED LIGHT

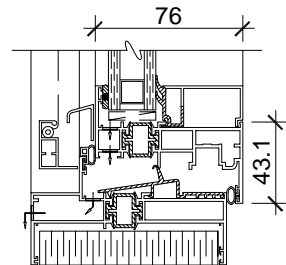
(D1)



80-412
file M412DB

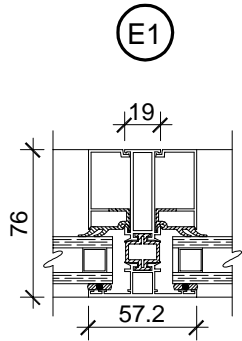
SILL SECTIONS WITH 1950 SASH

(D2)

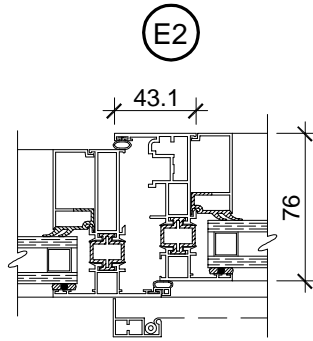


80-412
file M412VOB

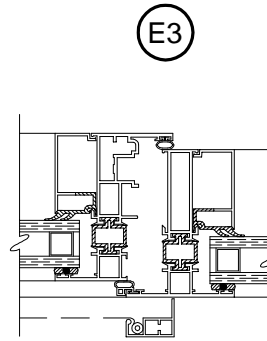
VERTICAL MULLION SECTIONS



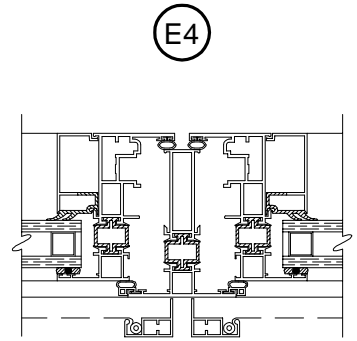
80-314
file M314DDH



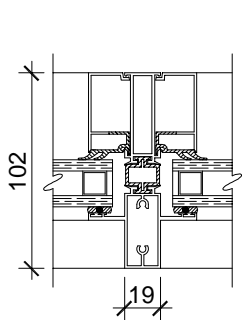
80-314
file M314DVOH



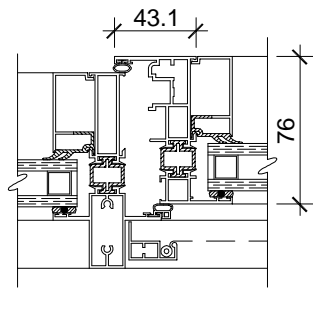
80-314
file M314VODH



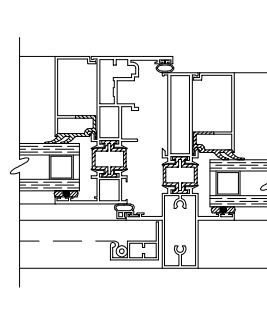
80-314
file M314VOOH



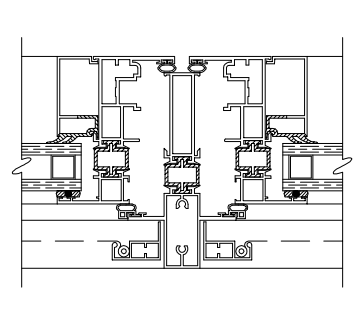
80-411
file M411DDH



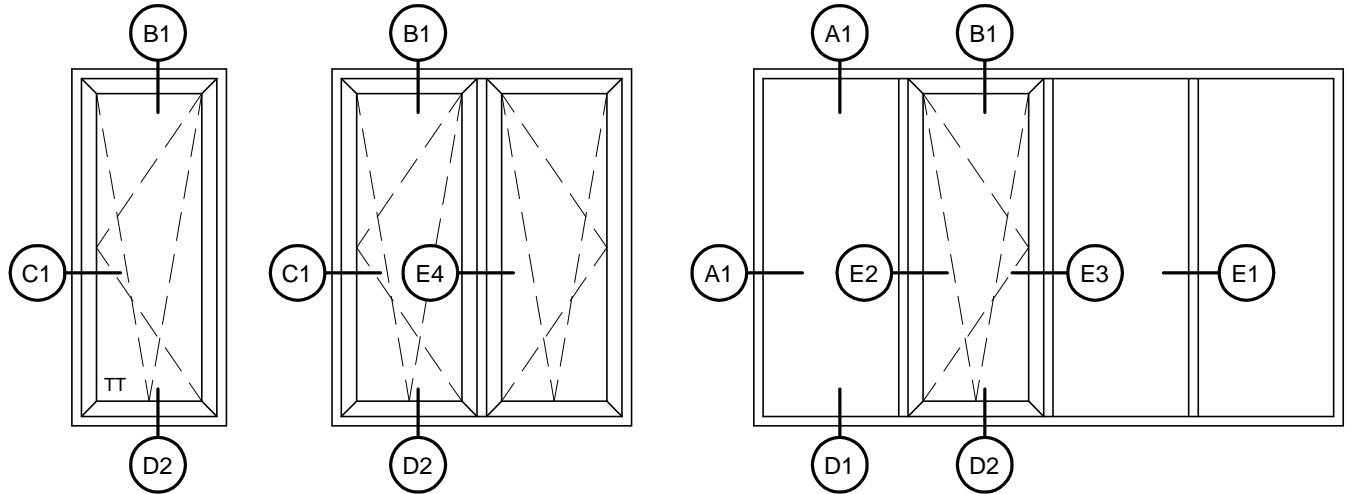
80-411
file M411DVOH



80-411
file M411VODH



80-411
file M411VOOH



LEGEND

-TT : TILT AND TURN

□ : NAME FOR AUTOCAD

GENERAL NOTE

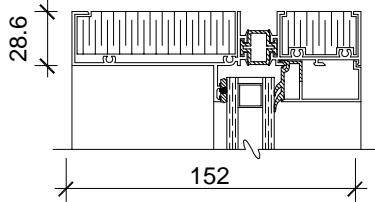
-DETAILS ARE SUBJECT TO CHANGE WITHOUT NOTICE.
 -DIMENSIONS WILL NOT SHOW ON THESE FILES.
 PLEASE ADD THEM TO YOUR DRAWING ACCORDINGLY.

"MAXSEAL" SYSTEM

- "MAXSEAL" SYSTEM IS A NEW TYPE OF GLASS STOP ALLOWING BETTER PERFORMANCES BY MEANS OF THE RAIN SCREEN PRINCIPLE, EQUIVALENT TO THOSE OBTAINED WITH A SEAL BEAD. PATENT PENDING.

FIXED HEAD AND JAMB SECTIONS

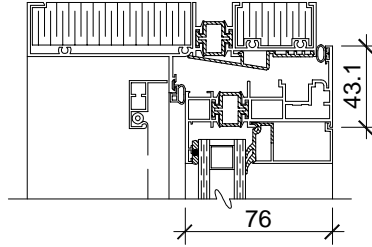
(A1)



81-612
file M612DT

HEAD SECTION WITH 1950 SASH

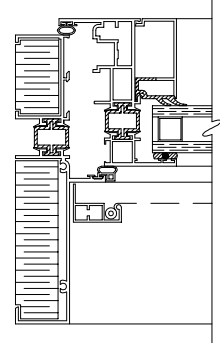
(B1)



81-612
file M612VOT

JAMB SECTIONS WITH 1950 SASH

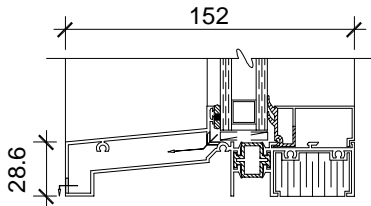
(C1)



81-610
file M610JVO

SILL SECTION FOR FIXED LIGHT

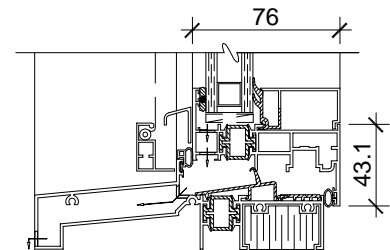
(D1)



81-611
file M611DB

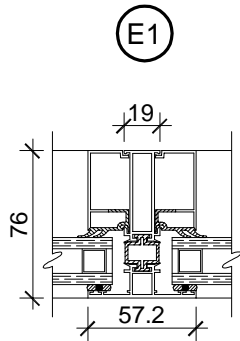
SILL SECTIONS WITH 1950 SASH

(D2)

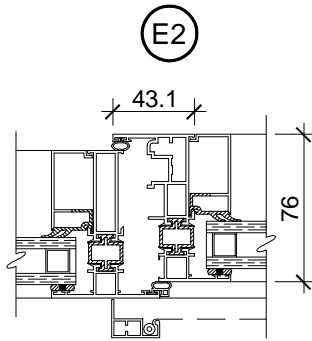


81-611
file M611VOB

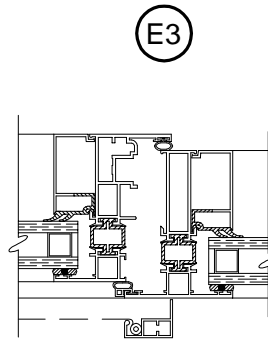
VERTICAL MULLION SECTIONS



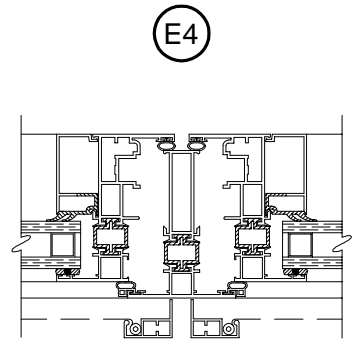
80-314
file M314DDH



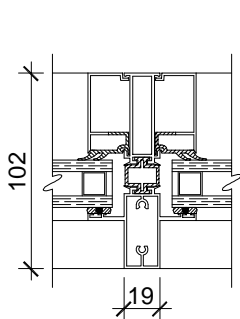
80-314
file M314DVOH



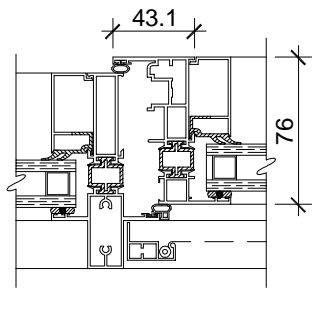
80-314
file M314VODH



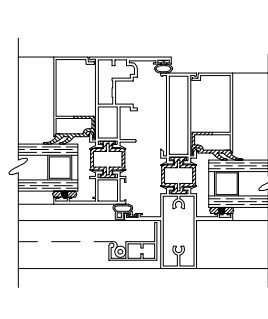
80-314
file M314VOOH



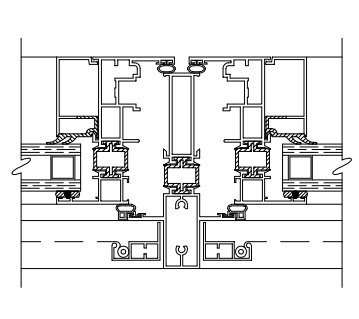
80-411
file M411DDH



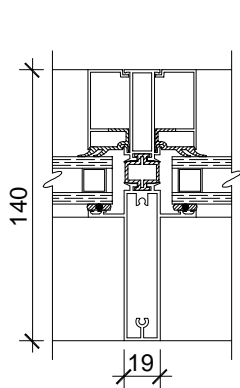
80-411
file M411DVOH



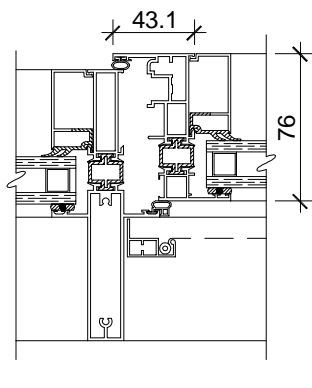
80-411
file M411VODH



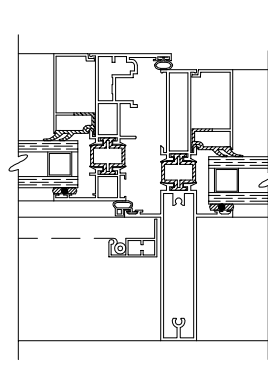
80-411
file M411VOOH



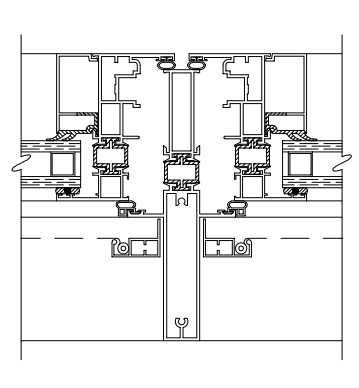
80-561
file M561DDH



80-561
file M561DVOH



80-561
file M561VODH



80-561
file M561VOOH