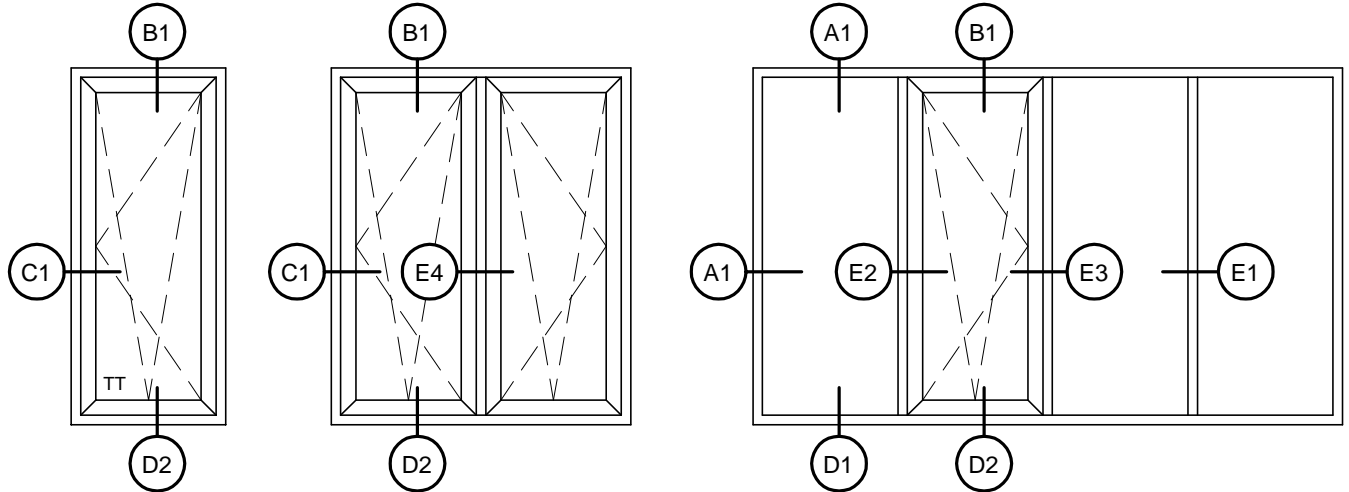


TILT AND TURN SASH 1950 SERIES IN 1800 (76mm) SERIES FRAMING.....	PAGE 2
-DETAILS FOR HEAD AND SILL	PAGE 3
-DETAILS FOR VERTICAL MULLIONS	PAGE 3
TILT AND TURN SASH 1950 SERIES IN 1840 (102mm) SERIES FRAMING.....	PAGE 4
-DETAILS FOR HEAD AND SILL	PAGE 5
-DETAILS FOR VERTICAL MULLIONS	PAGE 6
TILT AND TURN SASH 1950 SERIES IN 1860 (152mm) SERIES FRAMING.....	PAGE 7
-DETAILS FOR HEAD AND SILL	PAGE 8
-DETAILS FOR VERTICAL MULLIONS	PAGE 9



LEGEND

-TT : TILT AND TURN

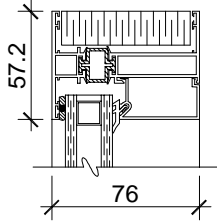
□ : NAME FOR AUTOCAD

GENERAL NOTE

-DETAILS ARE SUBJECT TO CHANGE WITHOUT NOTICE.
 -DIMENSIONS WILL NOT SHOW ON THESE FILES.
 PLEASE ADD THEM TO YOUR DRAWING ACCORDINGLY.
 -TO OBTAIN THE RAIN SCREEN PRINCIPLE AND BETTER PERFORMANCE, USE SNAP ON BEAD WITH "MAXSEAL" SYSTEM, SEE 1950 MAXSEAL SERIES

FIXED HEAD AND JAM SECTIONS

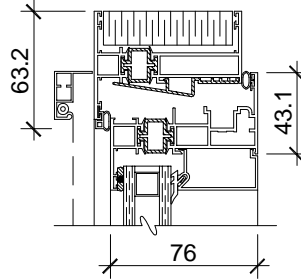
(A1)



80-310
file 310DT

HEAD SECTION WITH 1950 SASH

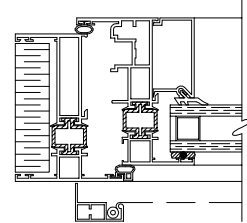
(B1)



80-310
file 310VOT

JAMB SECTIONS WITH 1950 SASH

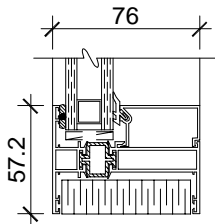
(C1)



80-310
file 310JVO

SILL SECTION FOR FIXED LIGHT

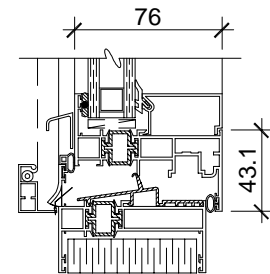
(D1)



80-310
file 310DB

SILL SECTIONS WITH 1950 SASH

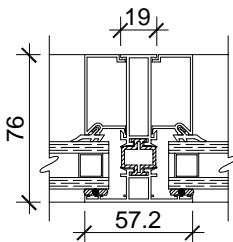
(D2)



80-310
file 310VOB

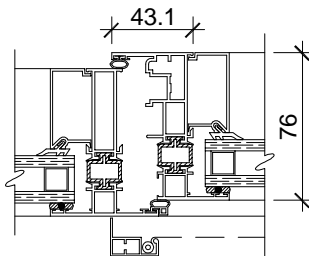
VERTICAL MULLION SECTIONS

(E1)



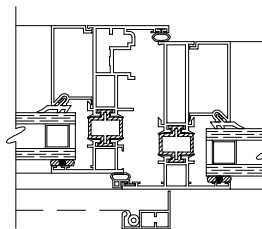
80-314
file 314DDH

(E2)



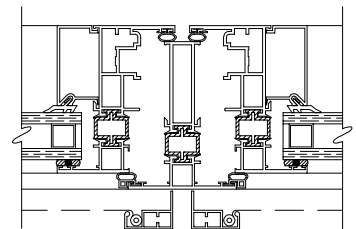
80-314
file 314DVOH

(E3)

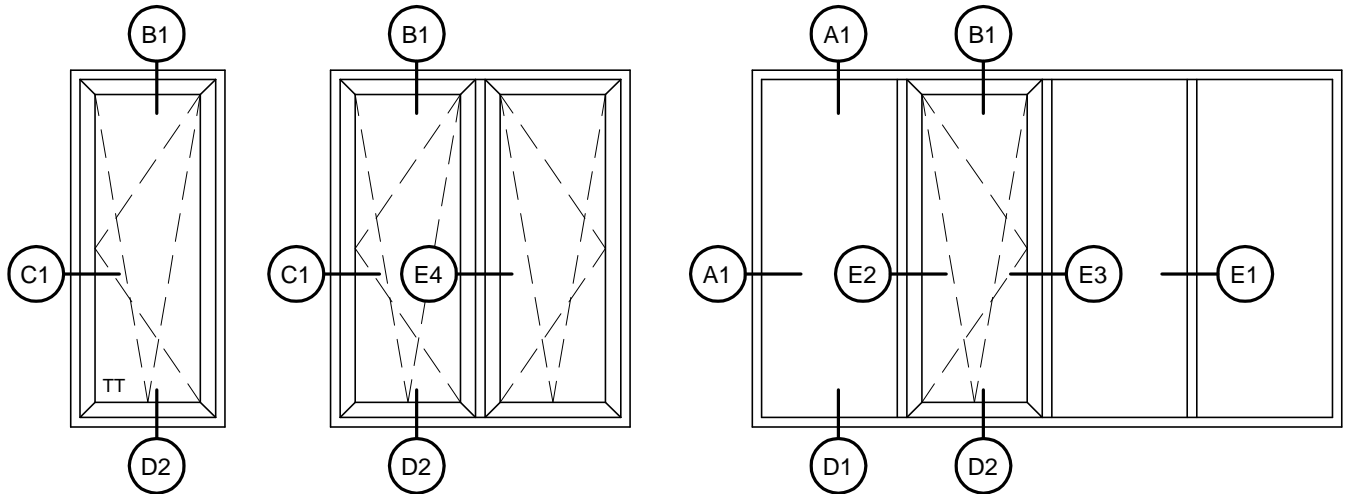


80-314
file 314VODH

(E4)



80-314
file 314VOVOH



LEGEND

-TT : TILT AND TURN

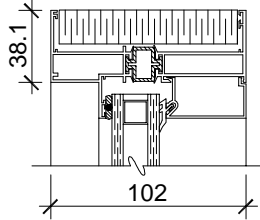
[] : NAME FOR AUTOCAD

GENERAL NOTE

- DETAILS ARE SUBJECT TO CHANGE WITHOUT NOTICE.
- DIMENSIONS WILL NOT SHOW ON THESE FILES.
- PLEASE ADD THEM TO YOUR DRAWING ACCORDINGLY.
- TO OBTAIN THE RAIN SCREEN PRINCIPLE AND BETTER PERFORMANCE, USE SNAP ON BEAD WITH "MAXSEAL" SYSTEM, SEE 1950 MAXSEAL SERIES

FIXED HEAD AND JAM SECTIONS

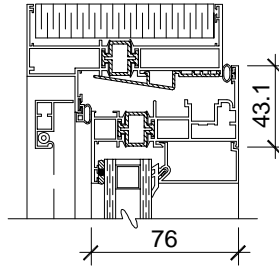
(A1)



80-412
file 412DT

HEAD SECTION WITH 1950 SASH

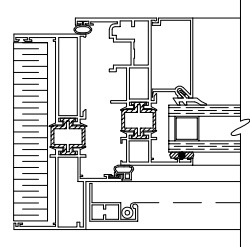
(B1)



80-412
file 412VOT

JAMB SECTIONS WITH 1950 SASH

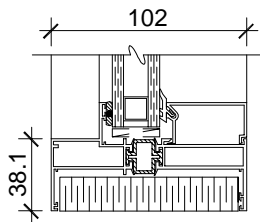
(C1)



80-412
file 412JVO

SILL SECTION FOR FIXED LIGHT

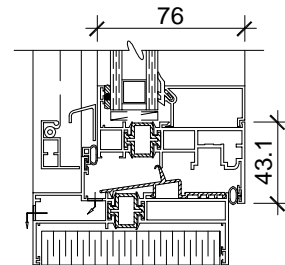
(D1)



80-412
file 412DB

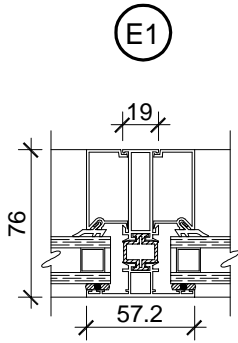
SILL SECTIONS WITH 1950 SASH

(D2)

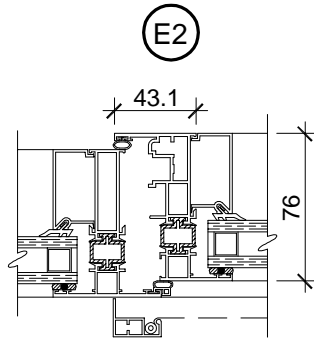


80-412
file 412VOB

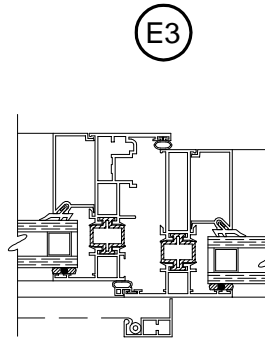
VERTICAL MULLION SECTIONS



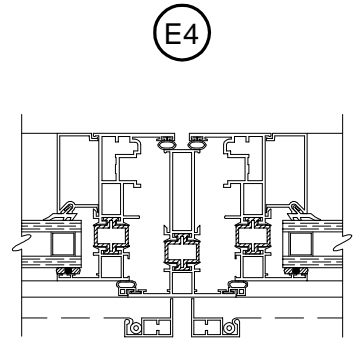
80-314
file 314DDH



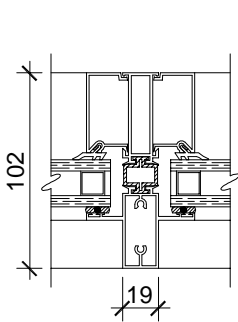
80-314
file 314DVOH



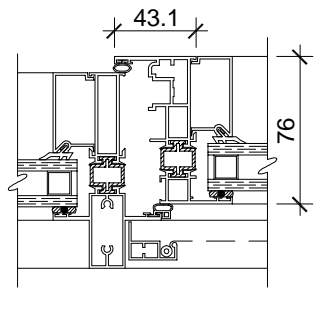
80-314
file 314VODH



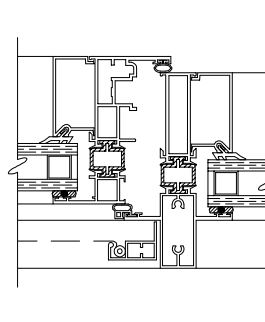
80-314
file 314VOVOH



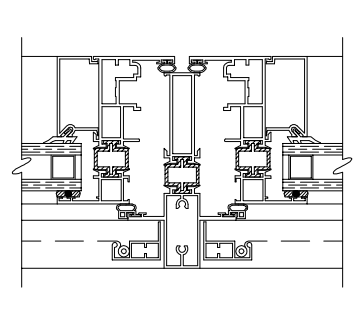
80-411
file 411DDH



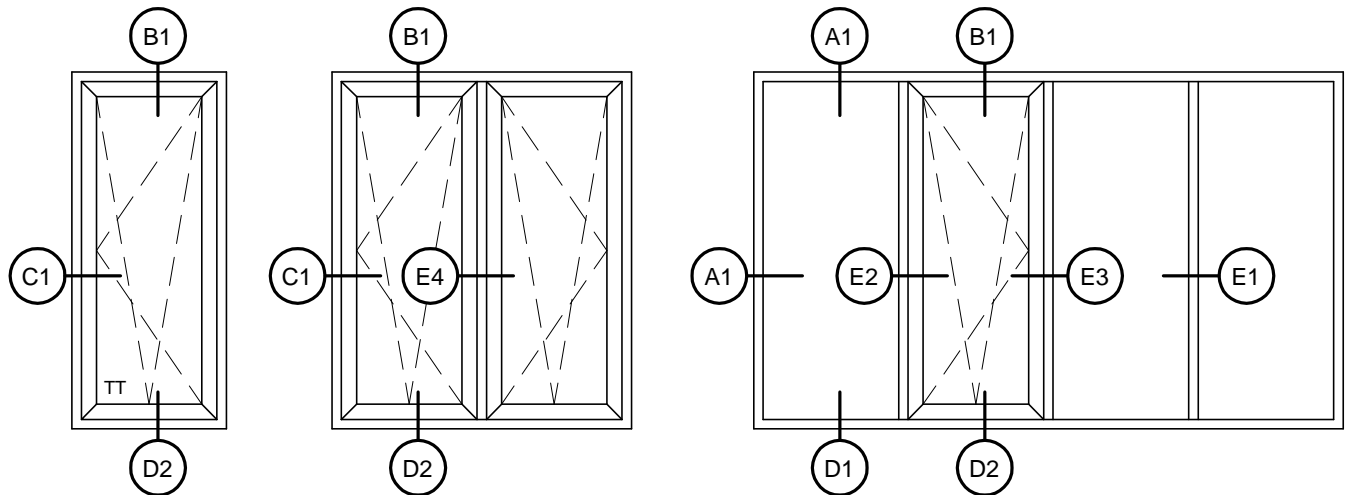
80-411
file 411DVOH



80-411
file 411VODH



80-411
file 411VOVOH



LEGEND

-TT : TILT AND TURN

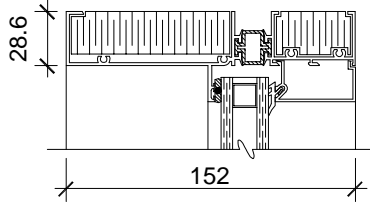
: NAME FOR AUTOCAD

GENERAL NOTE

-DETAILS ARE SUBJECT TO CHANGE WITHOUT NOTICE.
 -DIMENSIONS WILL NOT SHOW ON THESE FILES.
 PLEASE ADD THEM TO YOUR DRAWING ACCORDINGLY.
 -TO OBTAIN THE RAIN SCREEN PRINCIPLE AND BETTER PERFORMANCE, USE SNAP ON BEAD WITH "MAXSEAL" SYSTEM, PLEASE SEE 1950 SERIES "MAXSEAL".

FIXED HEAD AND JAMB SECTIONS

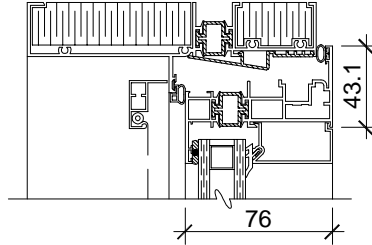
(A1)



81-612
file 612DT

HEAD SECTION WITH 1950 SASH

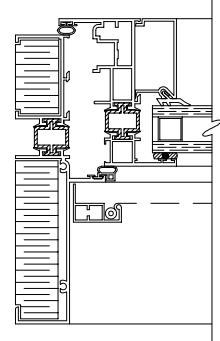
(B1)



81-612
file 612VOT

JAMB SECTIONS WITH 1950 SASH

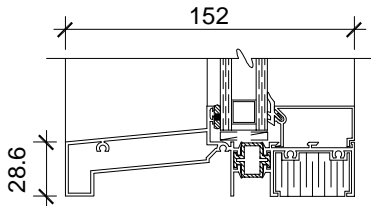
(C1)



81-610
file 610JVO

SILL SECTION FOR FIXED LIGHT

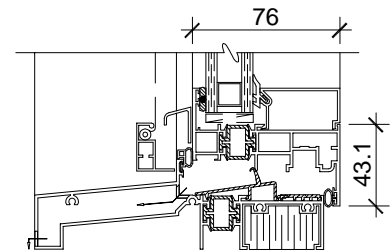
(D1)



81-611
file 611DB

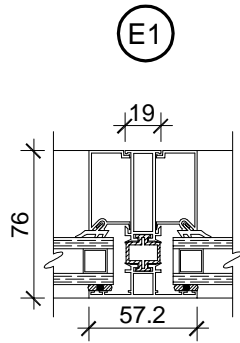
SILL SECTIONS WITH 1950 SASH

(D2)

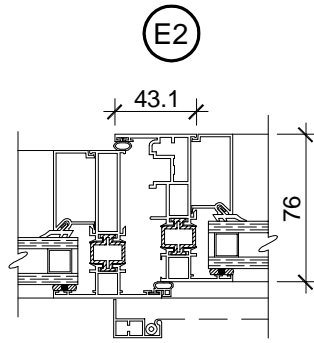


81-611
file 611VOB

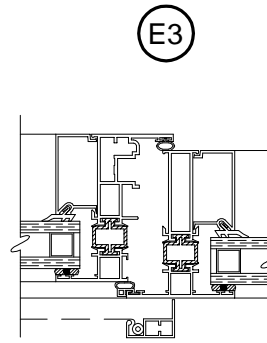
VERTICAL MULLION SECTIONS



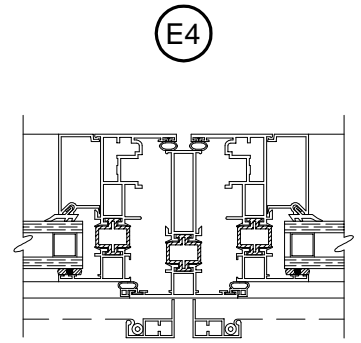
80-314
file 314DDH



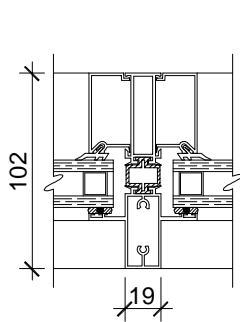
80-314
file 314DVOH



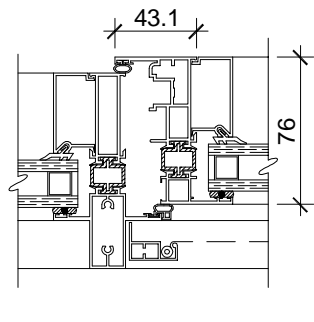
80-314
file 314VODH



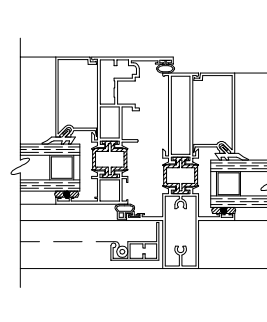
80-314
file 314VOVOH



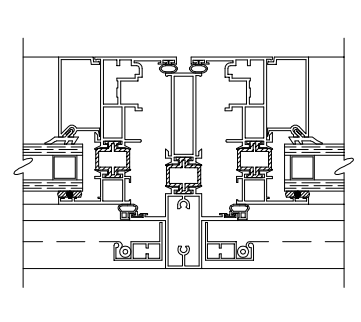
80-411
file 411DDH



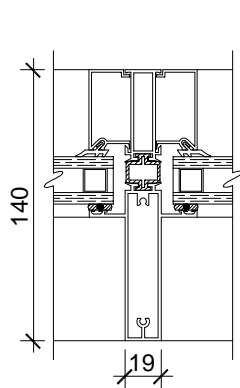
80-411
file 411DVOH



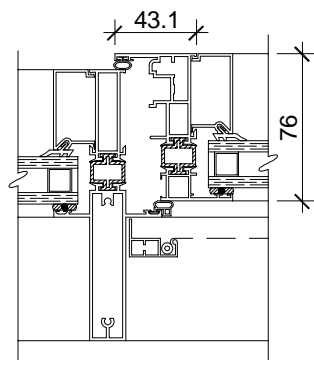
80-411
file 411VODH



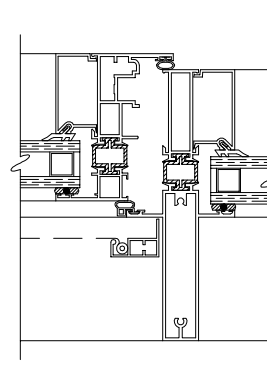
80-411
file 411VOVOH



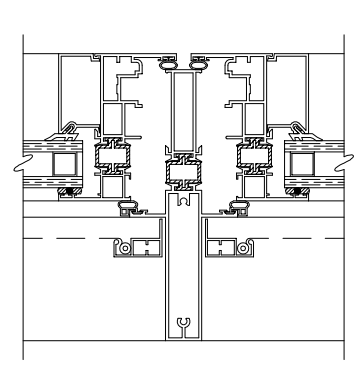
80-561
file 561DDH



80-561
file 561DVOH



80-561
file 561VODH



80-561
file 561VOVOH