



1800 SERIES HEAVY-DUTY INSULATED WINDOW OPENING OUT
WITHOUT FIXED LIGHTS 1800 (76mm) SERIES..... PAGE 2

- HEAD AND SILL SECTIONS PAGE 2
- VERTICAL MULLION SECTIONS PAGE 2

1800 (76MM) SERIES HEAVY-DUTY INSULATED WINDOW
FIXED AND OPENING OUT..... PAGE 3

- HEAD AND SILL SECTIONS PAGE 4
- HORIZONTAL MULLION SECTIONS PAGE 4
- VERTICAL MULLION SECTION PAGE 5

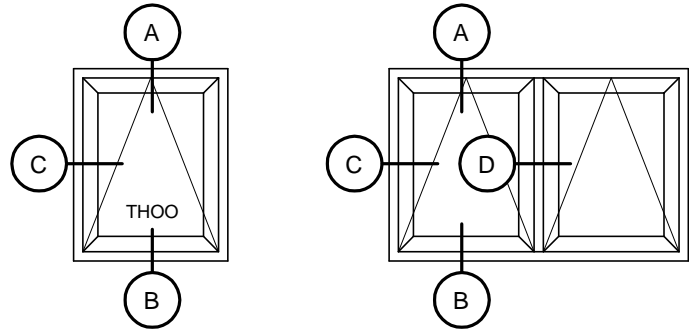
1840 (102MM) SERIES HEAVY-DUTY INSULATED WINDOW
FIXED AND OPENING OUT..... PAGE 6

- HEAD AND SILL SECTIONS PAGE 7
- HORIZONTAL MULLION SECTIONS PAGE 7-8
- VERTICAL MULLION SECTION PAGE 8

1860 (152MM) SERIES HEAVY-DUTY INSULATED WINDOW
FIXED AND OPENING OUT..... PAGE 9

- HEAD AND SILL SECTIONS PAGE 10
- HORIZONTAL MULLION SECTIONS PAGE 10-11
- VERTICAL MULLION SECTION PAGE 11-12

DETAILS FOR AWNING VENTS (THOO)
ALSO APPLY TO CASEMENT VENTS
OPENING OUT (SHOO).



LEGENDE

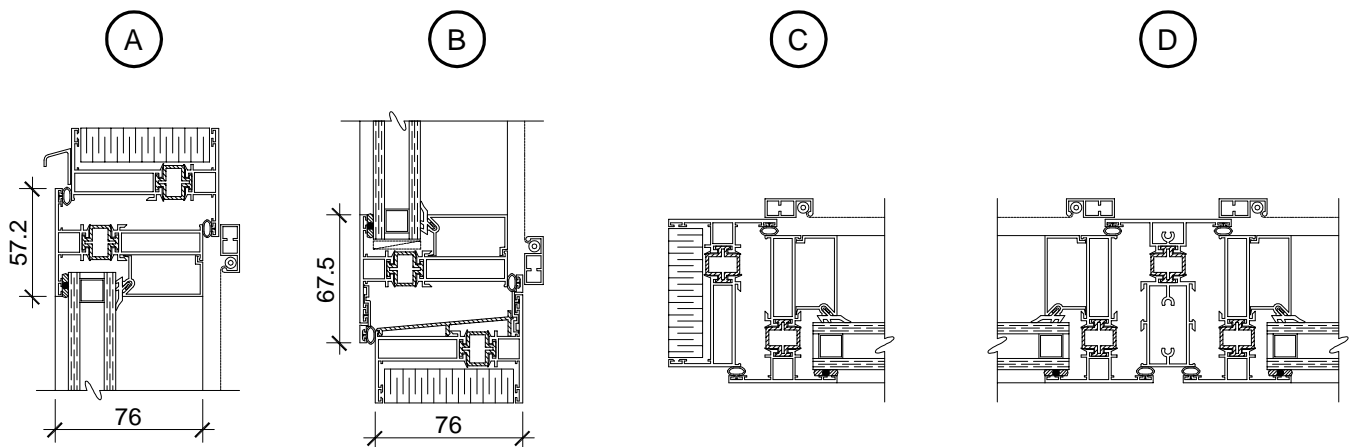
- THOO :TOP HUNG OPENING OUT.
- SHOO :SIDE HUNG OPENING OUT.

: NAME FOR AUTOCAD FILES

GENERAL NOTE

- DETAILS ARE SUBJECT TO CHANGE WITHOUT NOTICE.
- DIMENSIONS WILL NOT SHOW ON THESE FILES.
PLEASE ADD THEM TO YOUR DRAWING ACCORDINGLY.
- TO OBTAIN THE RAIN SCREEN PRINCIPLE AND BETTER PERFORMANCE, USE SNAP ON BEAD WITH "MAXSEAL" SYSTEM, PLEASE SEE 1800 SERIES OPENING OUT "MAXSEAL".

DETAILS FOR WINDOWS OPENING OUT WITHOUT FIXED LIGHTS.

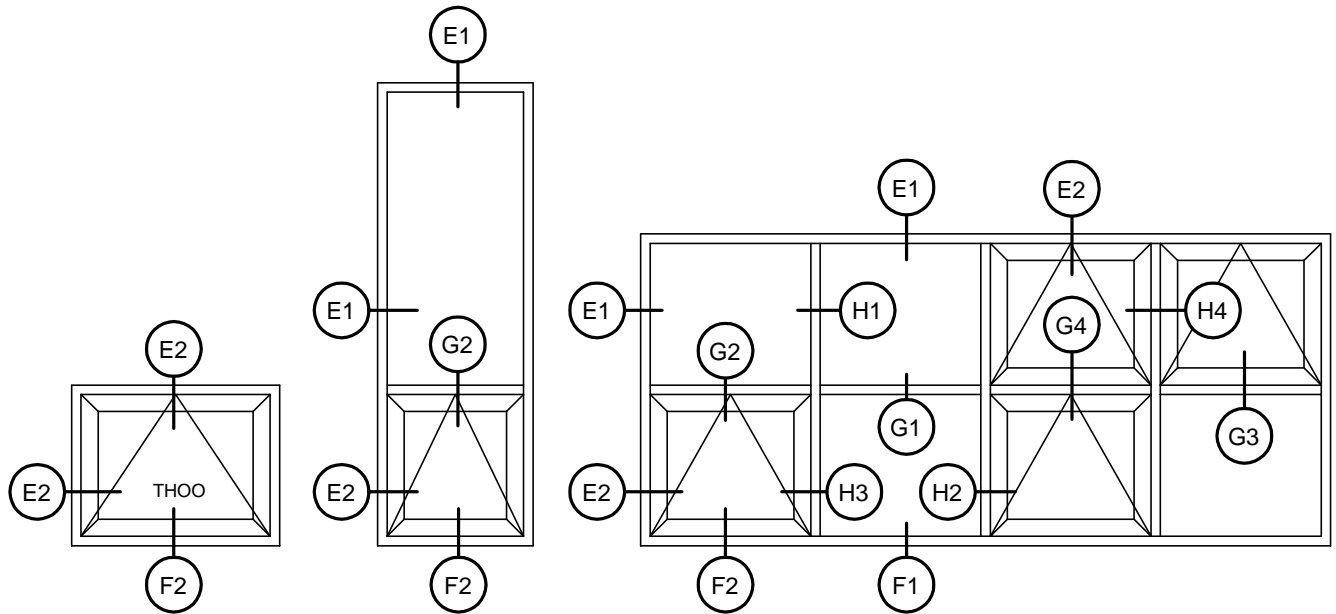


80-310
file 310VET

80-310
file 310VEB37

80-310
file 310JVE

80-305
file 305VEVEH



DETAILS FOR AWNING VENTS (THOO)
ALSO APPLY TO CASEMENT VENTS
OPENING OUT (SHOO).

LEGENDE

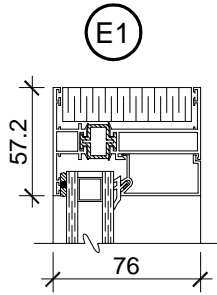
- THOO :TOP HUNG OPENING OUT.
- SHOO :SIDE HUNG OPENING OUT.

: NAME FOR AUTOCAD FILES

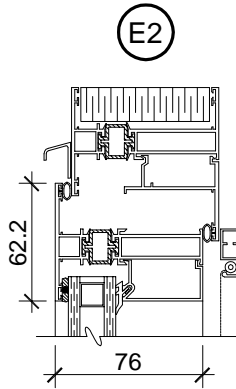
GENERAL NOTE

- DETAILS ARE SUBJECT TO CHANGE WITHOUT NOTICE.
- DIMENSIONS WILL NOT SHOW ON THESE FILES.
PLEASE ADD THEM TO YOUR DRAWING ACCORDINGLY.
- TO OBTAIN THE RAIN SCREEN PRINCIPLE AND BETTER PERFORMANCE, USE SNAP ON BEAD WITH "MAXSEAL" SYSTEM, PLEASE SEE 1800 SERIES OPENING OUT "MAXSEAL".

HEAD AND JAMB SECTIONS

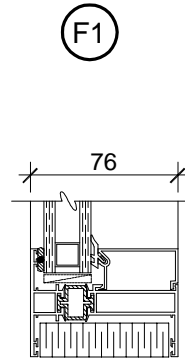


80-310
file 310DT

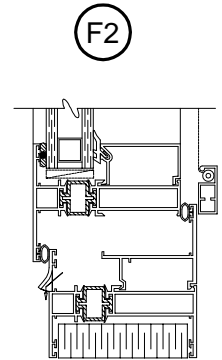


80-310
file 310VET43

SILL SECTIONS

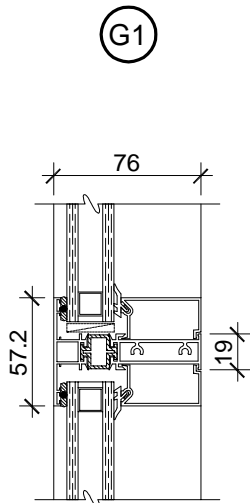


80-310
file 310DB

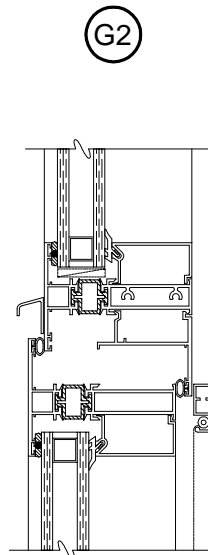


80-310
file 310VEB43

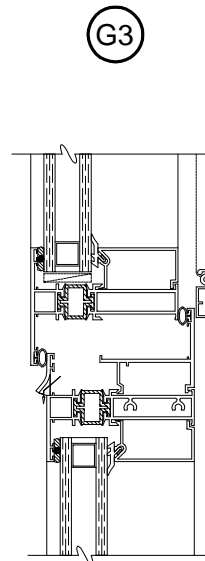
HORIZONTAL MULLION SECTIONS



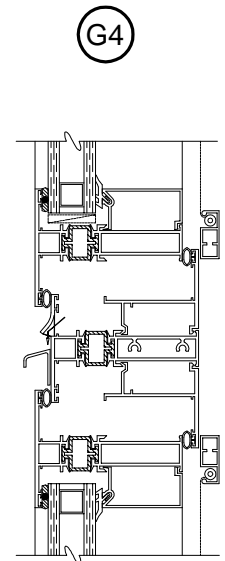
80-304
file 304DD



80-304
file 304DVE43



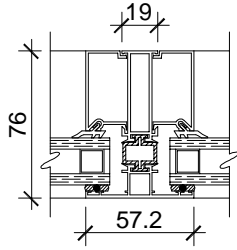
80-304
file 304VE43D



80-310
file 304VEVE3

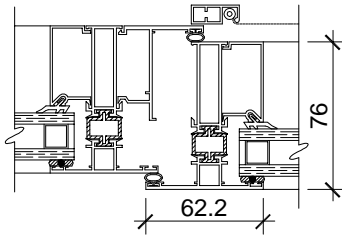
VERTICAL MULLION SECTIONS

(H1)



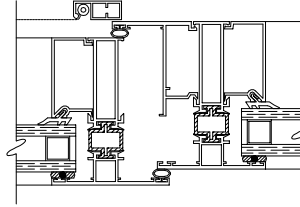
80-314
file 314DDH

(H2)



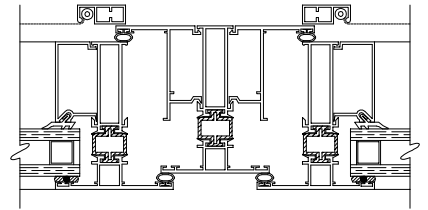
80-314
file 314DVE43

(H3)

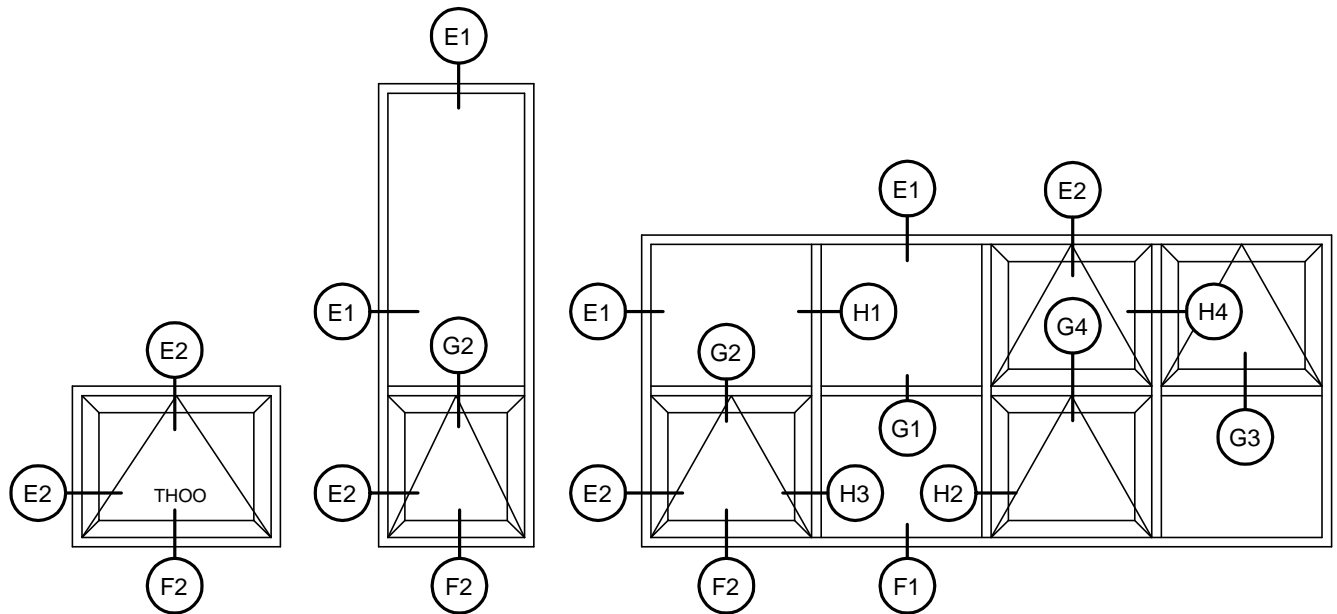


80-314
file 314VE43D

(H4)



80-314
file 314VEVE3



DETAILS FOR AWNING VENTS (THOO)
ALSO APPLY TO CASEMENT VENTS
OPENING OUT (SHOO).

LEGENDE

- THOO :TOP HUNG OPENING OUT.
- SHOO :SIDE HUNG OPENING OUT.

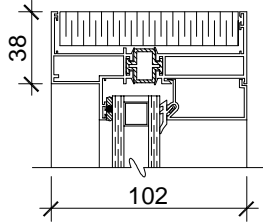
: NAME FOR AUTOCAD FILES

GENERAL NOTE

- DETAILS ARE SUBJECT TO CHANGE WITHOUT NOTICE.
- DIMENSIONS WILL NOT SHOW ON THESE FILES.
PLEASE ADD THEM TO YOUR DRAWING ACCORDINGLY.
- TO OBTAIN THE RAIN SCREEN PRINCIPLE AND BETTER PERFORMANCE, USE SNAP ON BEAD WITH "MAXSEAL" SYSTEM, PLEASE SEE 1800 SERIES OPENING OUT "MAXSEAL".

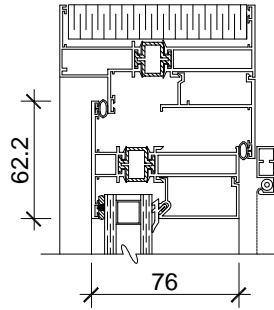
HEAD AND JAMB SECTIONS

(E1)



80-412
file 412DT

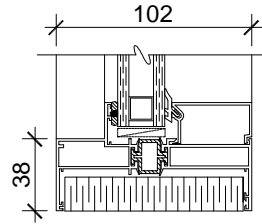
(E2)



80-412
file 412VET43

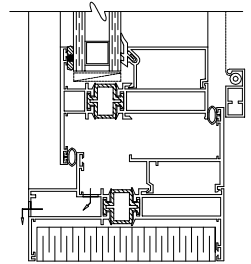
SILL SECTIONS

(F1)



80-412
file 412DB

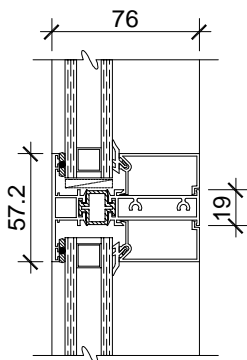
(F2)



80-412
file 412VEB43

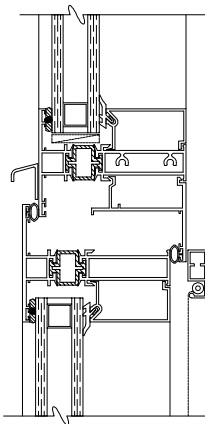
HORIZONTAL MULLION SECTIONS

(G1)



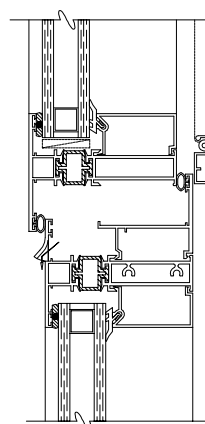
80-304
file 304DD

(G2)



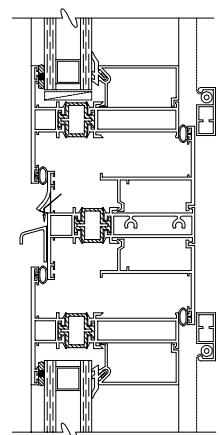
80-304
file 304DVE43

(G3)



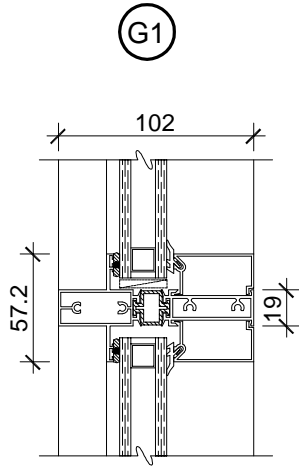
80-304
file 304VE43D

(G4)

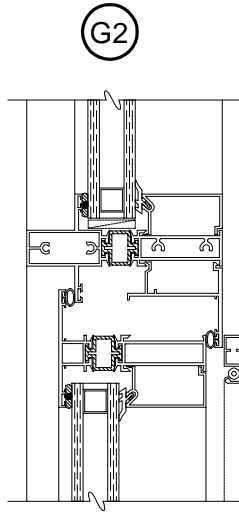


80-310
file 304VEVE3

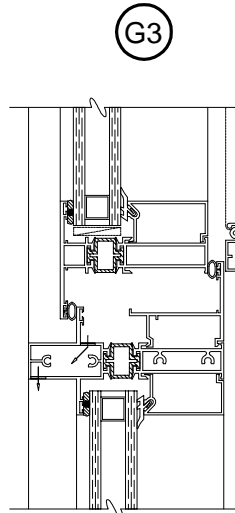
HORIZONTAL MULLION SECTIONS



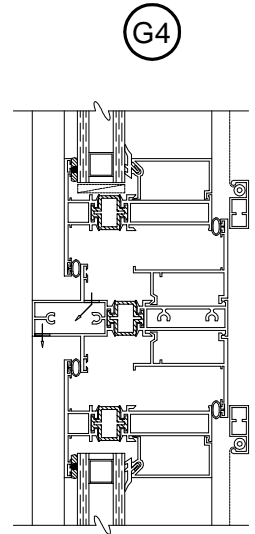
80-401
file 401DD



80-401
file 401DVE43

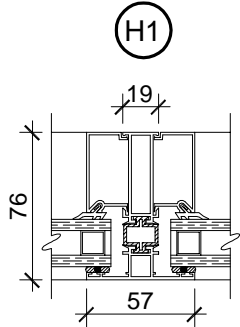


80-401
file 401VE43D

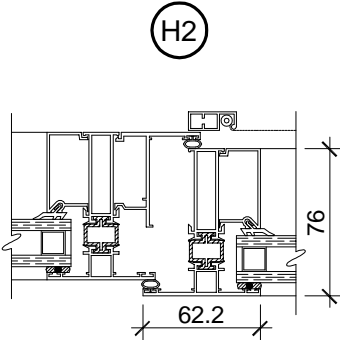


80-401
file 401VEVE3

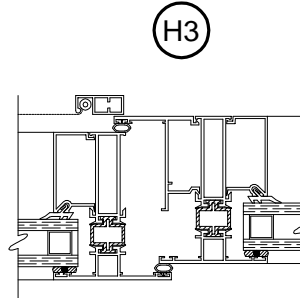
VERTICAL MULLION SECTIONS



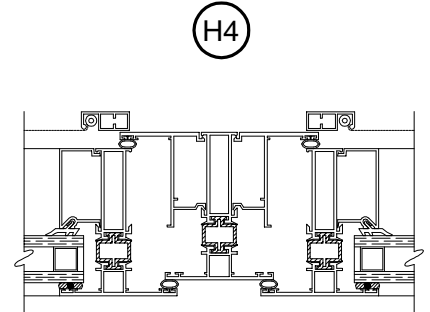
80-314
file 314DDH



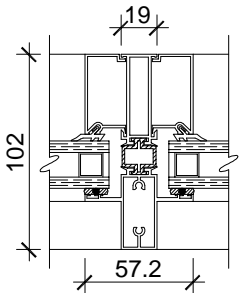
80-314
file 314DVE43



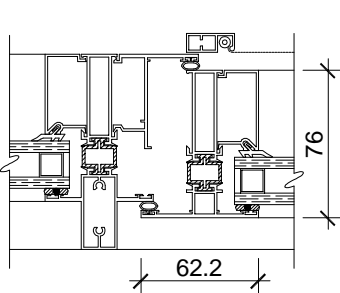
80-314
file 314VE43D



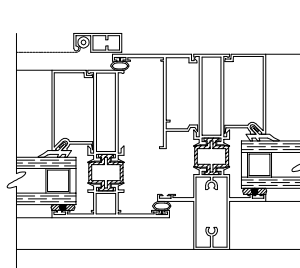
80-314
file 314VEVE3



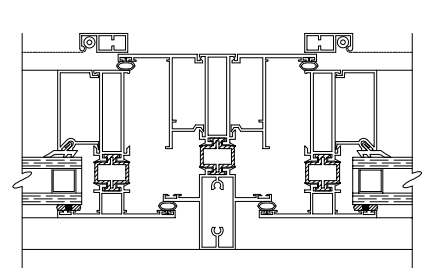
80-411
file 411DDH



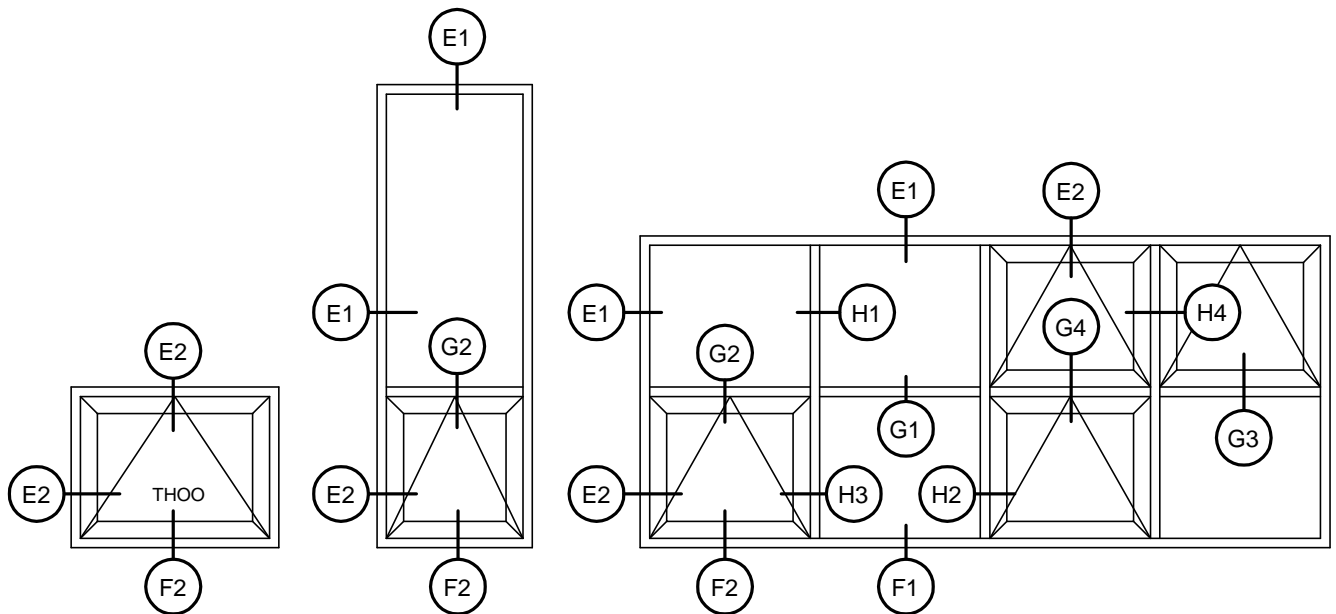
80-411
file 411DVE43



80-411
file 411VE43D



80-411
file 411VEVE3



DETAILS FOR AWNING VENTS (THOO)
ALSO APPLY TO CASEMENT VENTS
OPENING OUT (SHOO).

LEGENDE

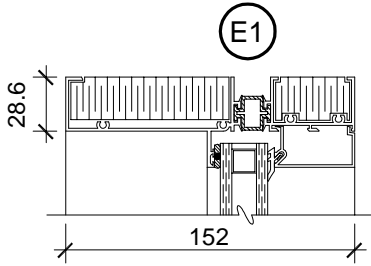
- THOO :TOP HUNG OPENING OUT.
- SHOO :SIDE HUNG OPENING OUT.

 : NAME FOR AUTOCAD FILES

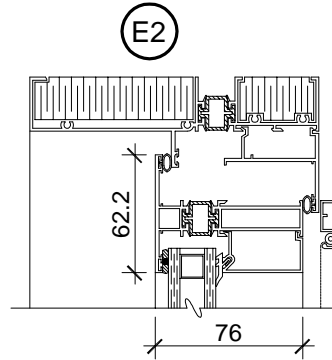
GENERAL NOTE

- DETAILS ARE SUBJECT TO CHANGE WITHOUT NOTICE.
- DIMENSIONS WILL NOT SHOW ON THESE FILES.
PLEASE ADD THEM TO YOUR DRAWING ACCORDINGLY.
- TO OBTAIN THE RAIN SCREEN PRINCIPLE AND BETTER PERFORMANCE, USE SNAP ON BEAD WITH "MAXSEAL" SYSTEM, PLEASE SEE 1800 SERIES OPENING OUT "MAXSEAL".

HEAD AND JAMB SECTIONS

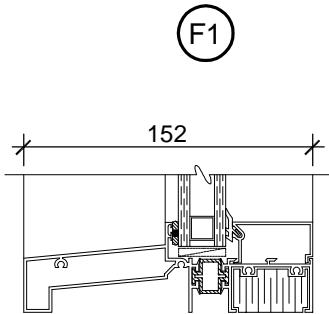


80-612
file 612DT

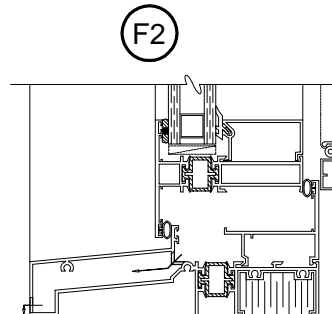


80-612
file 612VET43

SILL SECTIONS

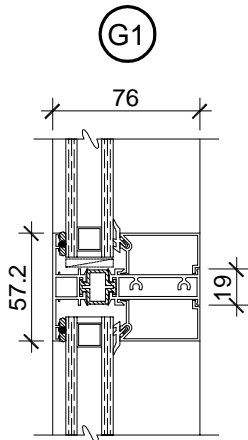


80-611
file 611DB

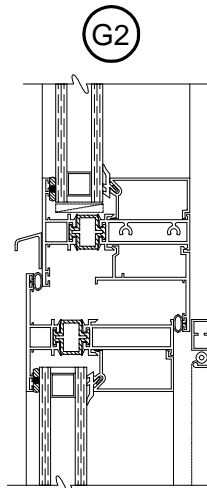


80-611
file 611VEB43

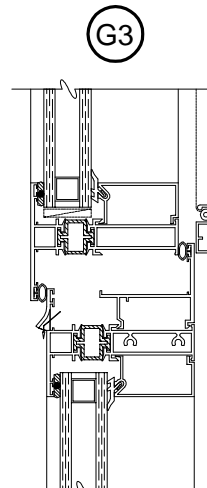
HORIZONTAL MULLION SECTIONS



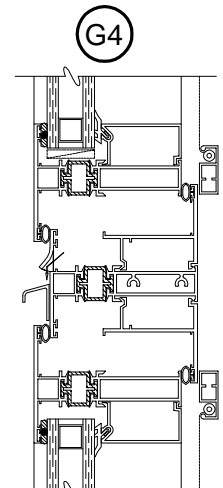
80-304
file 304DD



80-304
file 304DVE43

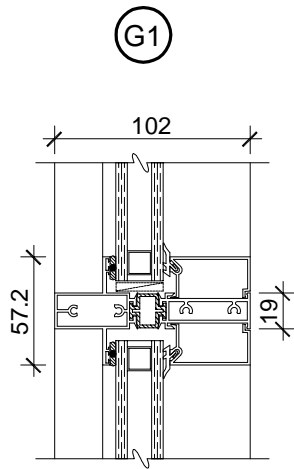


80-304
file 304VE43D

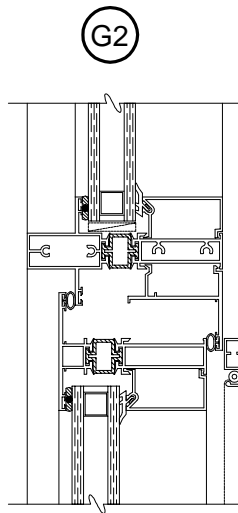


80-310
file 304VEVE3

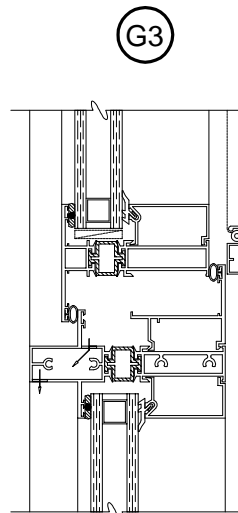
HORIZONTAL MULLION SECTIONS



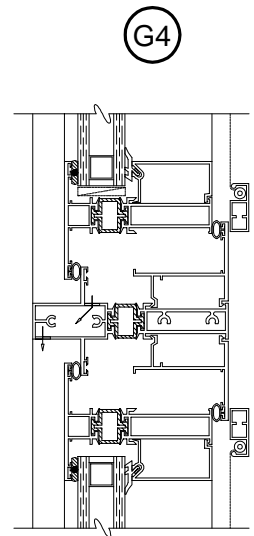
80-401
file 401DD



80-401
file 401DVE43

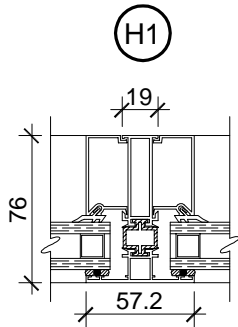


80-401
file 401VE43D

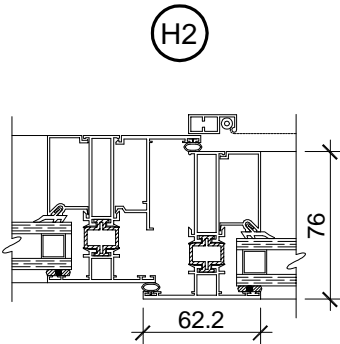


80-401
file 401VEVE3

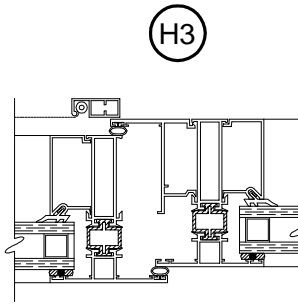
VERTICAL MULLION SECTIONS



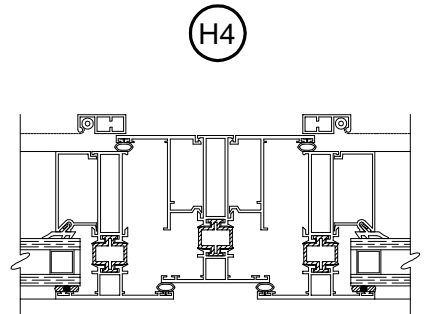
80-314
file 314DDH



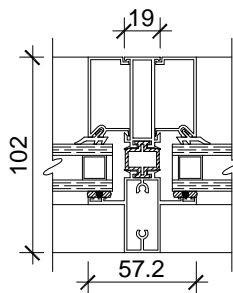
80-314
file 314DVE43



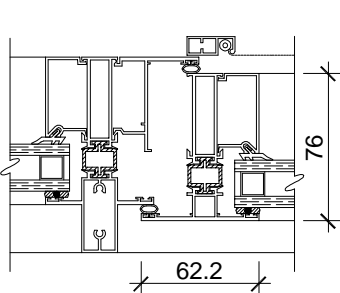
80-314
file 314VE43D



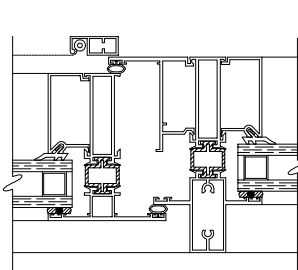
80-314
file 314VEVE3



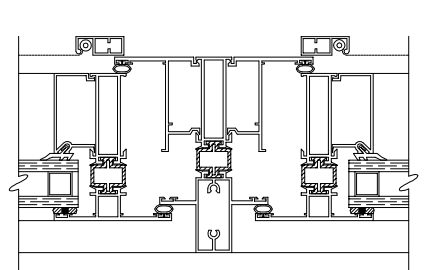
80-411
file 411DDH



80-411
file 411DVE43



80-411
file 411VE43D



80-411
file 411VEVE3

VERTICAL MULLION SECTIONS

