

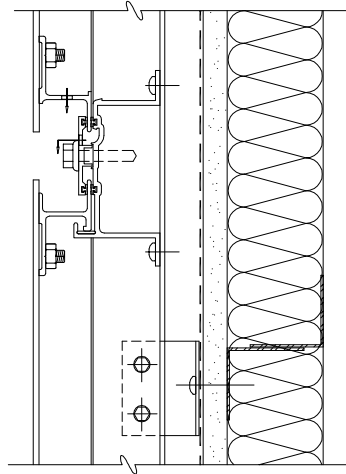
LEGEND

 : NAME FOR AUTOCAD FILE.

GENERAL NOTE

- DETAILS ARE SUBJECT TO CHANGE WITHOUT NOTICE.
- DIMENSIONS WILL NOT SHOW ON THESE FILES.
- PLEASE ADD THEM TO YOUR DRAWING ACCORDINGLY.

(R)
file Z95PPN



(S)
file D492ZND

