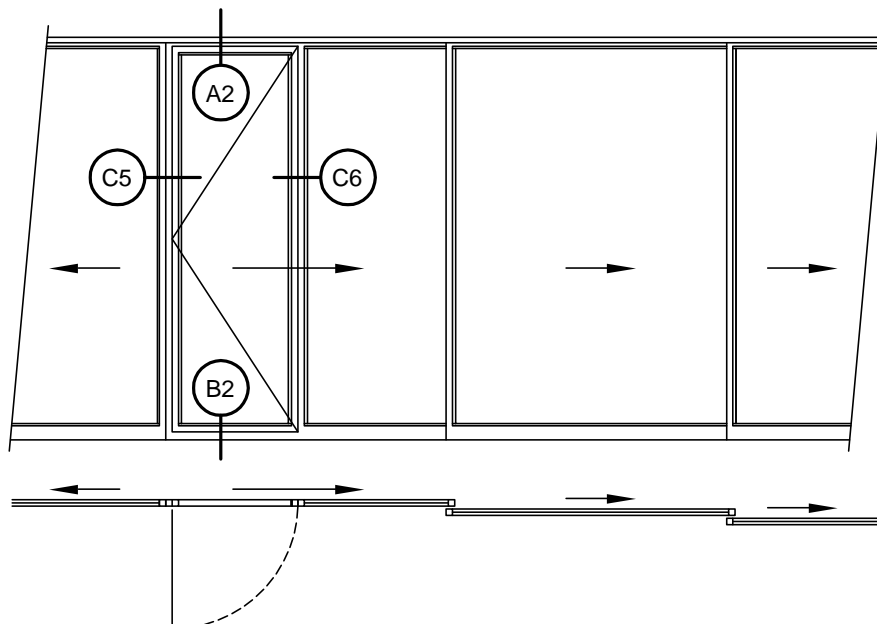


LEGEND

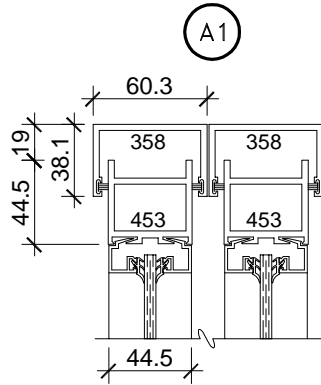
: FILE NAME FOR AUTOCAD.

GENERAL NOTE

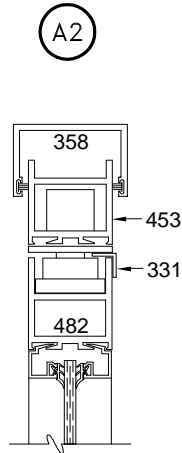
- DETAILS ARE SUBJECT TO CHANGE WITHOUT NOTICE.
- DIMENSIONS WILL NOT SHOW ON THESE FILES.
- PLEASE ADD THEM TO YOUR DRAWING ACCORDINGLY.



DETAIL FOR TOP RAIL

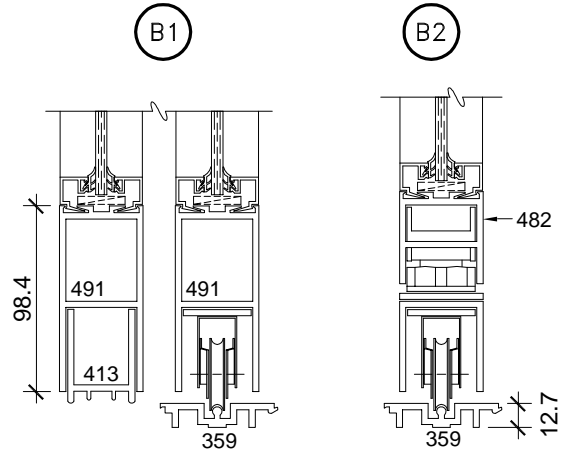


453
file 453-58T6



453
file 453-82T6

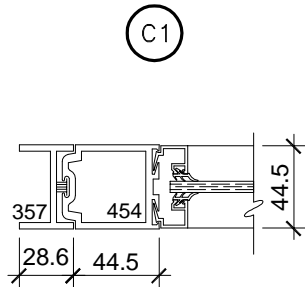
DETAIL FOR TOP RAIL



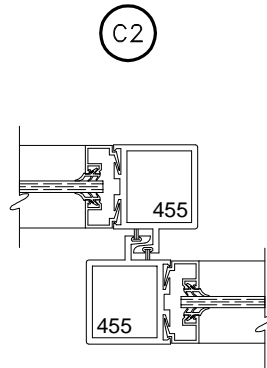
491
file 491-59B6

482
file 491-82B6

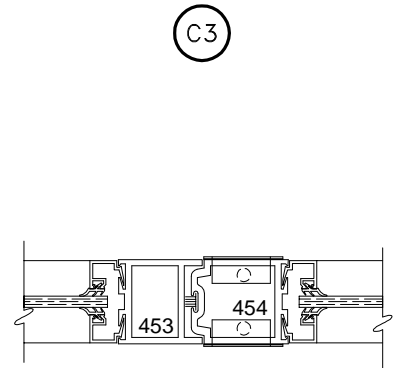
DETAILS FOR STILE SECTIONS



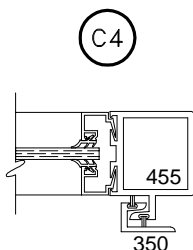
454
file 454-57J6



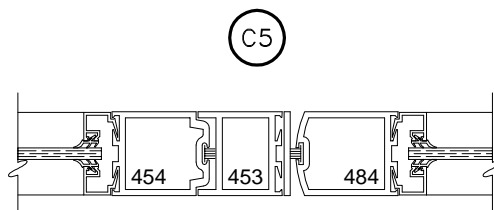
455
file 455-55R6



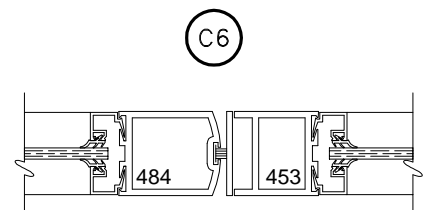
453
file 453-54R6



455
file 455-50J6

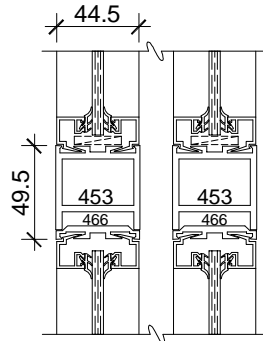


453
file 453-84R6

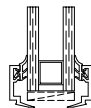


484
file 484-53R6

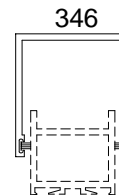
DETAIL FOR OPTIONAL MID RAIL SECTIONS



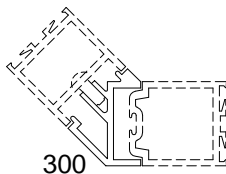
453
file 453-53E6



OPTIONAL 25MM GLAZING
file FIXE-25



OPTIONAL DEEP TOP TRACK
file 346-M



45° ADAPTOR EXTRUSION
file 300-M



OPTIONAL HEAVY-DUTY TRACK WITH THRESHOLD
file 351M et 352M