

## LEGEND

 : FILE NAME FOR AUTOCAD.

## GENERAL NOTE

- DETAILS ARE SUBJECT TO CHANGE WITHOUT NOTICE.
- DIMENSIONS WILL NOT SHOW ON THESE FILES.
- PLEASE ADD THEM TO YOUR DRAWING ACCORDINGLY.

## COMMON INSERTION POINT

- TO CREATE A NEW ASSEMBLY, USE THE SAME INSERT POINT AS THE FIRST PART INSERTED, BY MEANS OF "OBJECT SNAP", "INSERT".

## NOTE 1

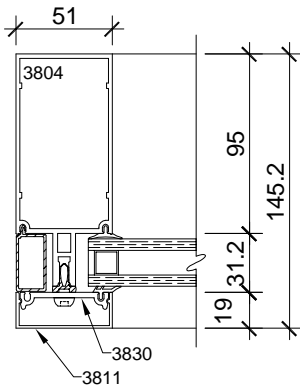
- TO ADD AN OPERATING WINDOW DETAIL SERIES:
- 1700 OPENING IN USE FILE 226VIT OR M226VIT
  - 1700 OPENING OUT USE FILE 221VET OR M221VET
  - 1800 OPENING IN USE FILE 314VIT OR M314VIT
  - 1800 OPENING OUT USE FILE 313VET OR M313VET
  - 1950 TILT AND TURN USE FILE S314VOT OR MS314VOT

## NOTE 2

- TO ADD AN OPERATING WINDOW DETAIL SERIES:
- 1700 OPENING IN USE FILE 226VIB OR M226VIB
  - 1700 OPENING OUT USE FILE 221VEB37 OR M221VEB7
  - 1800 OPENING IN USE FILE 314VIB OR M314VIB
  - 1800 OPENING OUT USE FILE 313VEB37 OR M313VEB7
  - 1950 TILT AND TURN USE FILE S314VOB OR MS314VOB

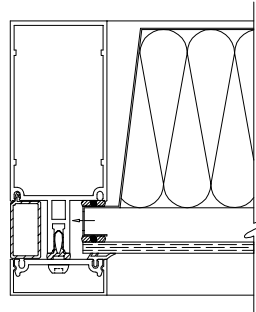
## HEAD AND JAMB SECTIONS

(A)



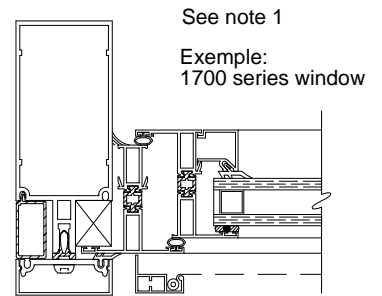
**3804-3830-3811**  
file H411JD

(B)



**3804-3830-3811**  
file H411JY

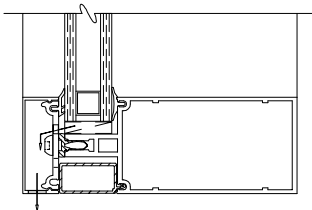
(C)



**3804-3830-3811**  
file H411JK

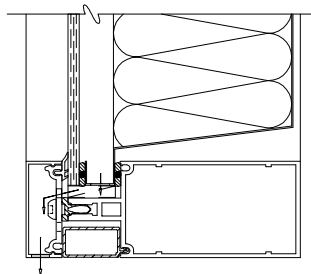
## SILL SECTIONS

(D)



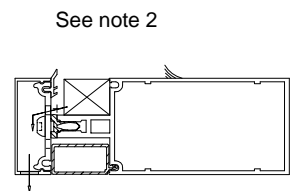
**3804-3830-3811**  
file H411DB

(E)



**3804-3830-3811**  
file H411YB

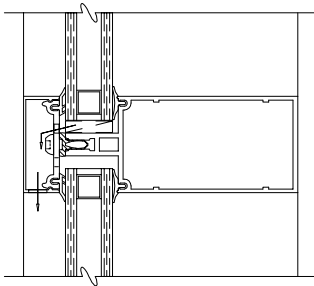
(F)



**3804-3830-3811**  
file H411KB

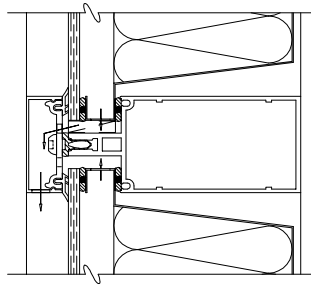
## HORIZONTAL MULLION SECTIONS

G



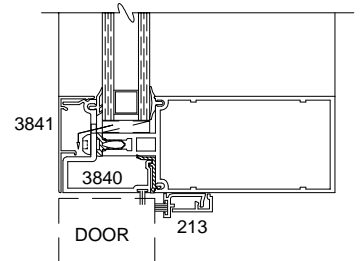
**3804-3830-3811**  
file H411DD

H



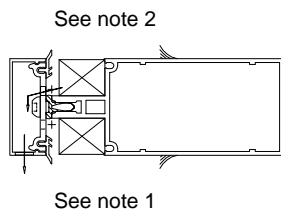
**3804-3830-3811**  
file H411YY

I



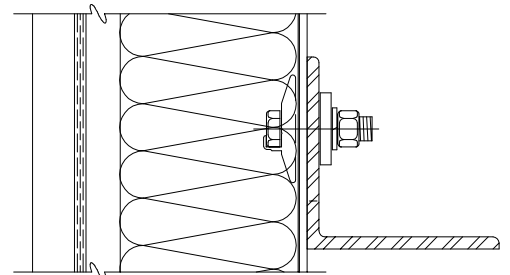
**3804-3840-3841**  
file H441DU2

J



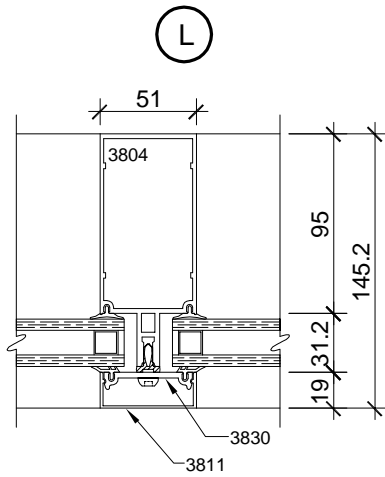
**3804-3830-3811**  
file H411KK

K

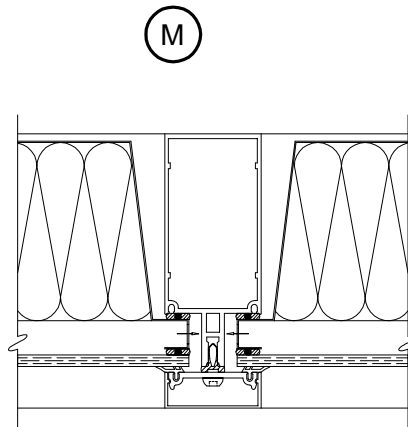


**3804-3830-3811**  
file H411YN44

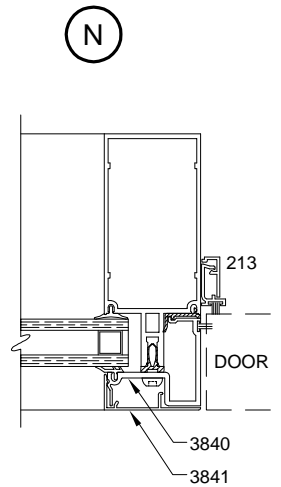
## VERTICAL MULLION SECTIONS



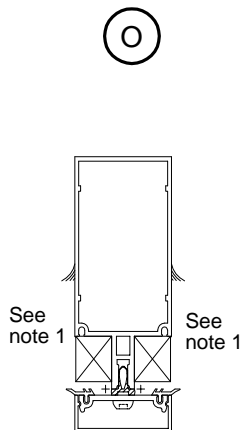
**3804-3830-3811**  
file H411DDH



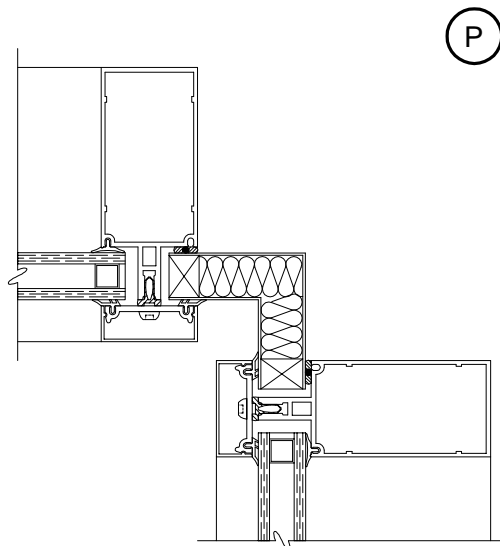
**3804-3830-3811**  
file H411YYH



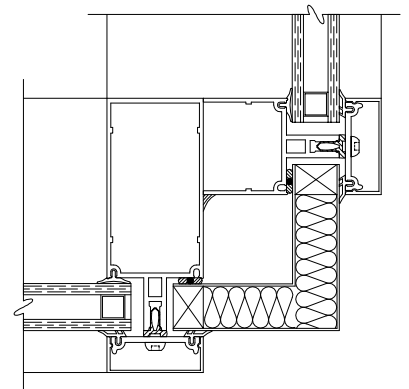
**3804-3840-3841**  
file H441DU2H



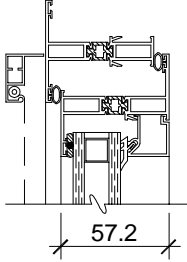
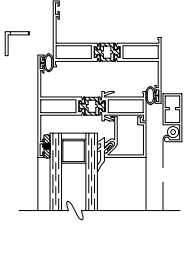
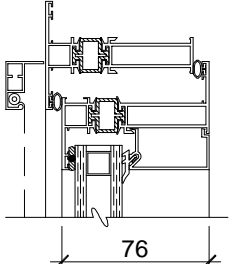
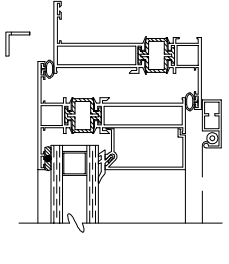
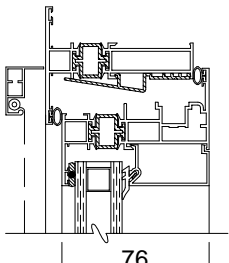
**3804-3830-3811**  
file H411KKH



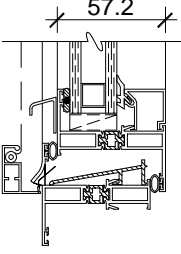
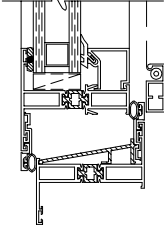
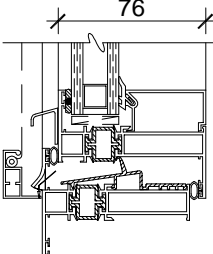
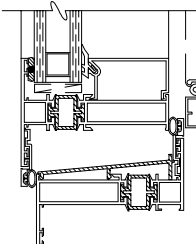
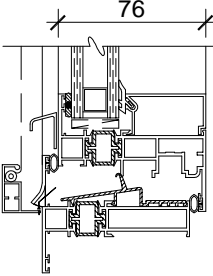
**3804-3830-3811**  
file H411DDQi



**3804-3830-3811**  
file H411DDQE

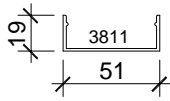
DETAILS OF HEAD AND JAMB FOR WINDOWS OPENING IN		
	OPENING IN	OPENING OUT
SERIES 1700	 <p style="text-align: center;">57.2</p> <div style="border: 1px solid black; padding: 5px; width: fit-content; margin: 10px auto;"> <p><b>70-226</b> file 226ViT file M226ViT</p> </div>	 <div style="border: 1px solid black; padding: 5px; width: fit-content; margin: 10px auto;"> <p><b>70-221</b> file 221VET file M221VET</p> </div>
SERIES 1800	 <p style="text-align: center;">76</p> <div style="border: 1px solid black; padding: 5px; width: fit-content; margin: 10px auto;"> <p><b>80-314</b> file 314ViT file M314ViT</p> </div>	 <div style="border: 1px solid black; padding: 5px; width: fit-content; margin: 10px auto;"> <p><b>80-313</b> file 313VET file M313VET</p> </div>
SERIES 1950	 <p style="text-align: center;">76</p> <div style="border: 1px solid black; padding: 5px; width: fit-content; margin: 10px auto;"> <p><b>95-314</b> file S314VOT file MS314VOT</p> </div>	<p>DETAILS FOR BOTTOM HUNG OPENING IN VENTS (BHOI) ALSO APPLY TO CASEMENT VENTS OPENING IN (SHOI).</p> <p>DETAILS FOR AWNING VENTS (THOO) ALSO APPLY TO CASEMENT VENTS OPENING OUT (SHOO).</p>

TO ADD AN OPERATING WINDOW DETAIL WITH "MAXSEAL" SYSTEM. USE FILE NAME BEGINNING WITH LETTER "M"  
EX : M226ViT

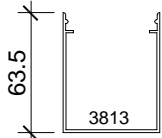
		DETAILS OF SILL FOR OPENING WINDOW	
		OUVRANT INTÉRIEUR	OUVRANT EXTÉRIEUR
SERIES 1700			
	<p><b>70-226</b> file 226ViB file M226ViB</p>	<p><b>70-221</b> file 221VEB37 file M221VEB7</p>	
SERIES 1800			
	<p><b>80-314</b> file 314ViB file M314ViB</p>	<p><b>80-313</b> file 313VEB37 file M313VEB7</p>	
SERIES 1950		<p>DETAILS FOR BOTTOM HUNG OPENING IN VENTS (BHOI) ALSO APPLY TO CASEMENT VENTS OPENING IN (SHOI).</p> <p>DETAILS FOR AWNING VENTS (THOO) ALSO APPLY TO CASEMENT VENTS OPENING OUT (SHOO).</p>	
	<p><b>95-314</b> file S314VOB file MS314VOB</p>		

TO ADD AN OPERATING WINDOW  
DETAIL WITH "MAXSEAL" SYSTEM.  
USE FILE NAME BEGINNING  
WITH LETTER "M"  
EX : M226VIT

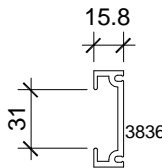
VERTICAL CAPS



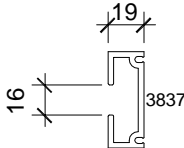
file 3811M



file 3813M

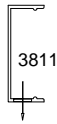


file 3836M

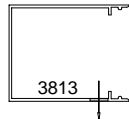


file 3837M

HORIZONTAL CAPS

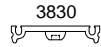


file 3811MPN

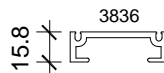


file 3813MPN

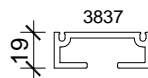
VERTICAL PRESSURE PLATES



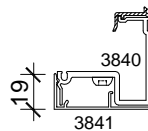
file 3830M



file 3836M



file 3837M



file 3841ASS

HORIZONTAL PRESSURE PLATES



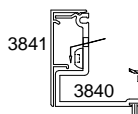
file 3830MPN



file 3836MPN

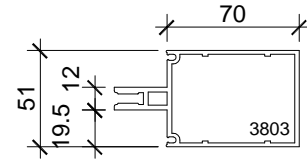


file 3837MPN

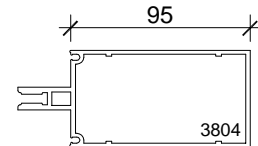


file 3841ASSH

VERTICAL AND HORIZONTAL MULLIONS

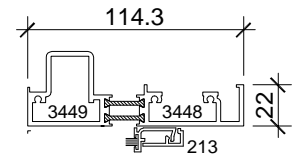


file 3803M

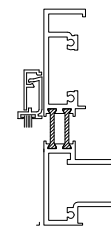


file 3804M

INSULATED DOOR SUB-FRAME

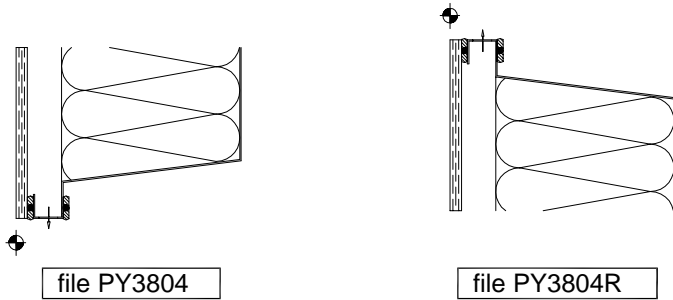
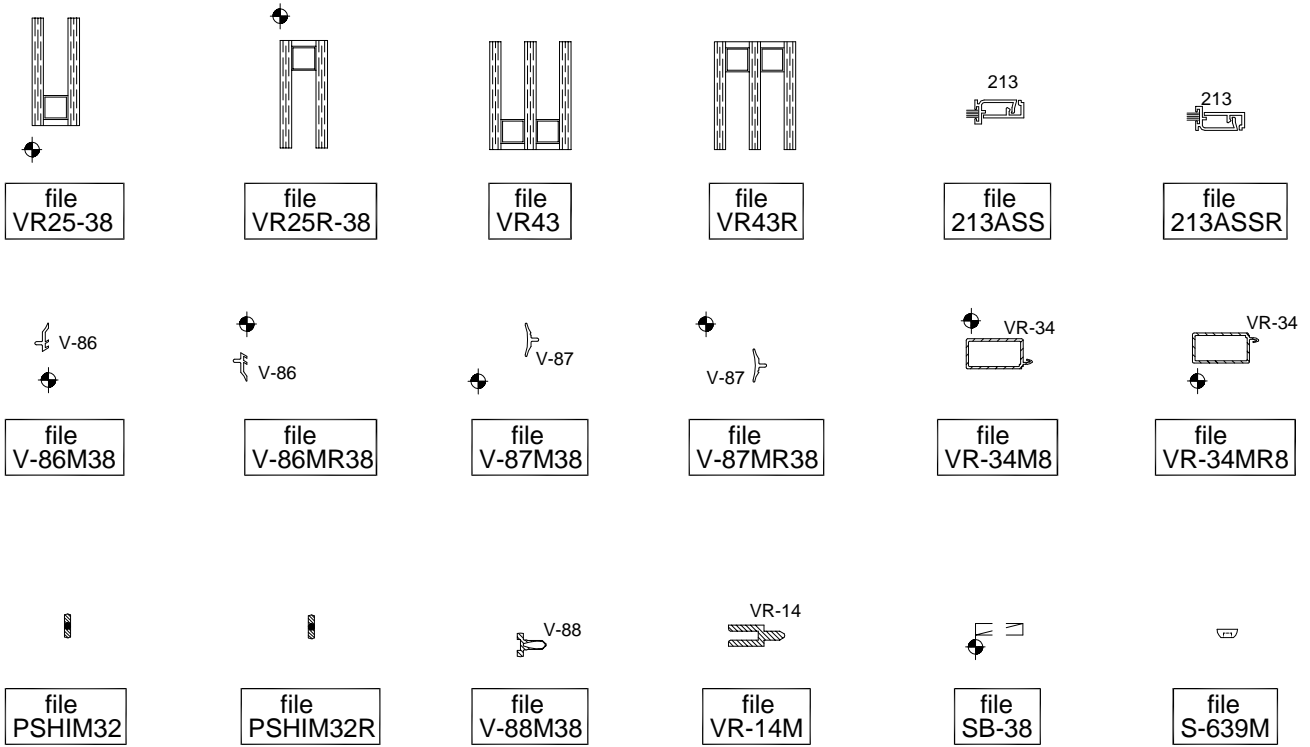


file 3442TM34



file 3442MJ34

## OTHER COMPONENTS



- V-86 :EXT. GLAZING SPLINE.
- V-87 :INT. GLAZING SPLINE.
- VR-34 :PVC PERIMETER SPACER.
- V-88 :THERMAL BARRIER.
- PSHIM32 :3.2mm GLAZING TAPE.
- VR-14 :PVC EXTENSION FOR TRIPLE SEALED UNIT.
- SB-38 :SETTING BLOCK.
- S-639 :SCREW FOR PRESSURE PLATE.
- 213 :DOOR STOP.

### TYPICAL ASSEMBLY

