

LEGEND

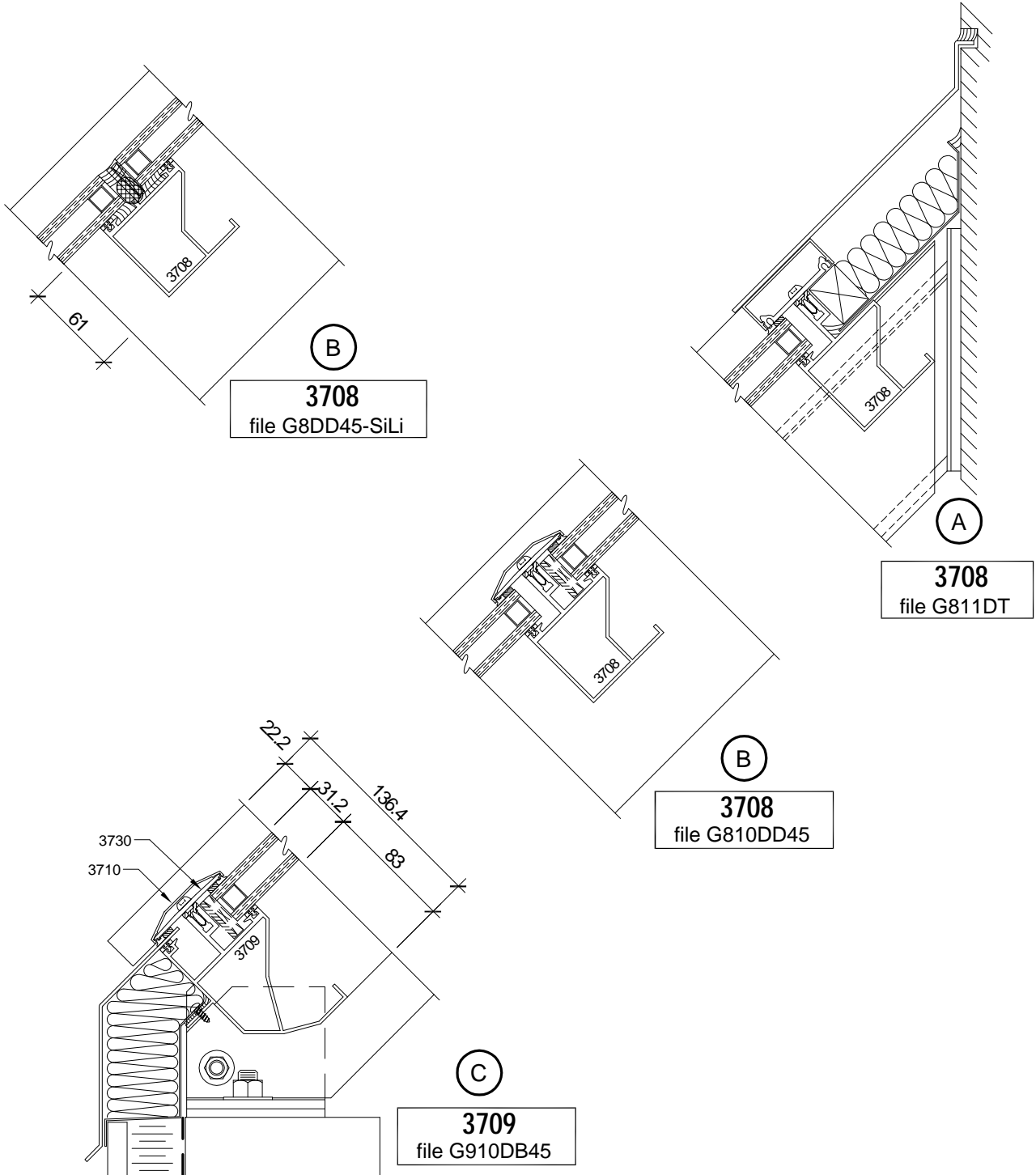
 : FILE NAME FOR AUTOCAD

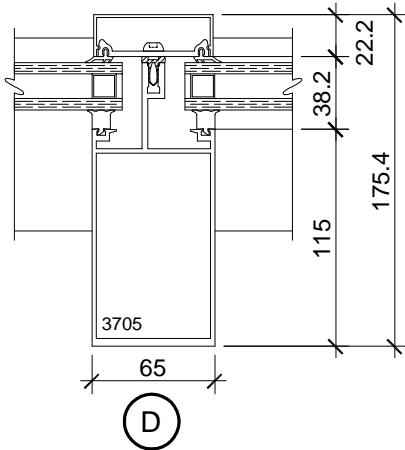
GENERAL NOTE:

- DETAILS ARE SUBJECT TO CHANGE WITHOUT NOTICE.
- DIMENSIONS WILL NOT SHOW ON THESE FILES. PLEASE ADD THEM TO YOUR DRAWING ACCORDINGLY.

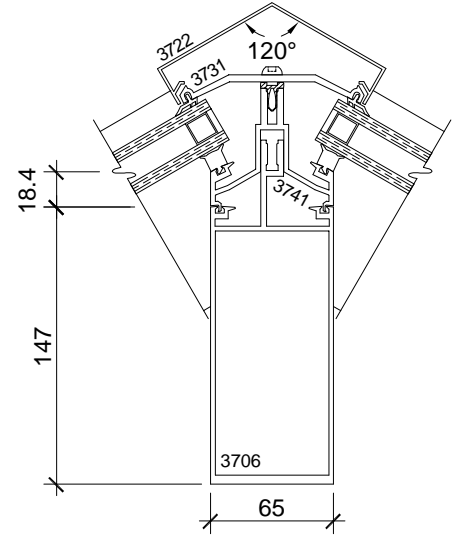
COMMON INSERTION POINT

- TO CREATE A NEW ASSEMBLY, USE THE SAME INSERT POINT AS THE FIRST PART INSERTED, BY MEANS OF "OBJECT SNAP" , "INSERT".

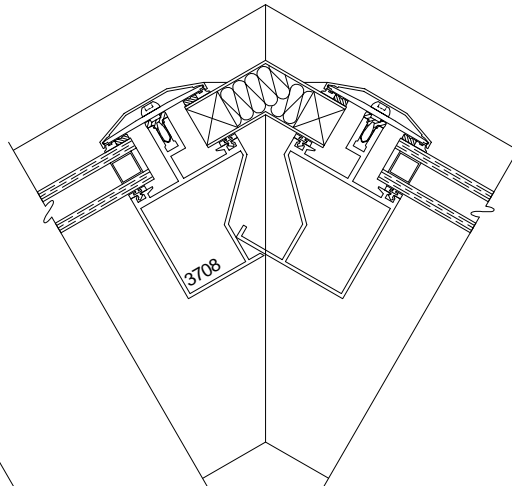




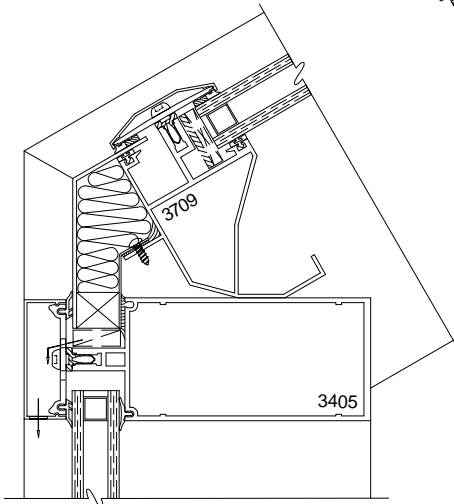
3705
file G511DDH



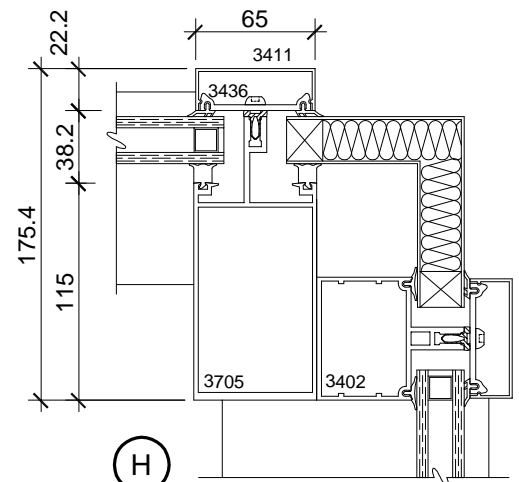
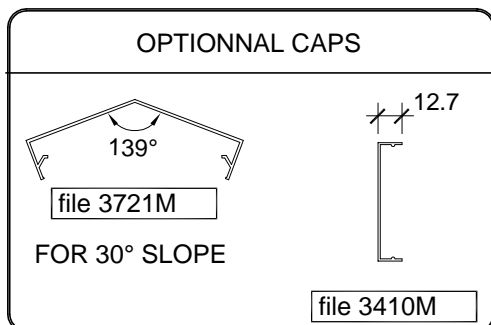
3706
file G622DDH
FOR 45° SLOPE



3708
file G810DDH30



3405
file G610DDQ30



3705-3402
file G511DDQE