

## LEGEND

 : NAME FOR AUTOCAD.

## GENERAL NOTE

- DETAILS ARE SUBJECT TO CHANGE WITHOUT NOTICE.
- DIMENSIONS WILL NOT SHOW ON THESE FILES.
- PLEASE ADD THEM TO YOUR DRAWING ACCORDINGLY.

## COMMON INSERTION POINT

- TO CREATE A NEW ASSEMBLY, USE THE SAME INSERTION POINT AS THE FIRST PART INSERTED, BY MEANS OF "OBJECT SNAP", "INSERT".

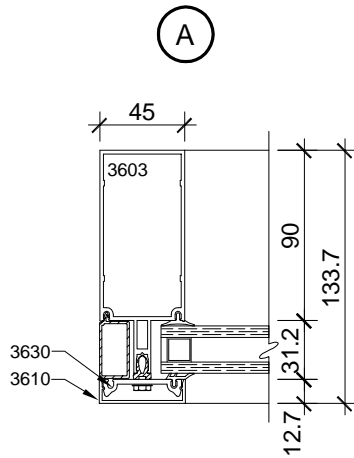
## NOTE 1

- TO ADD AN OPERATING WINDOW DETAIL SERIES:
- 1700 OPENING IN USE FILE 226VIT OR M226VIT
  - 1700 OPENING OUT USE FILE 221VET OR M221VET
  - 1800 OPENING IN USE FILE 314VIT OR M314VIT
  - 1800 OPENING OUT USE FILE 313VET OR M313VET
  - 1950 TILT AND TURN USE FILE S314VOT OR MS314VOT

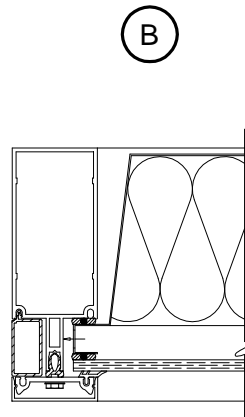
## NOTE 2

- TO ADD AN OPERATING WINDOW DETAIL SERIES:
- 1700 OPENING IN USE FILE 226VIB OR M226VIB
  - 1700 OPENING OUT USE FILE 221VEB37 OR M221VEB7
  - 1800 OPENING IN USE FILE 314VIB OR M314VIB
  - 1800 OPENING OUT USE FILE 313VEB37 OR M313VEB7
  - 1950 TILT AND TURN USE FILE S314VOB OR MS314VOB

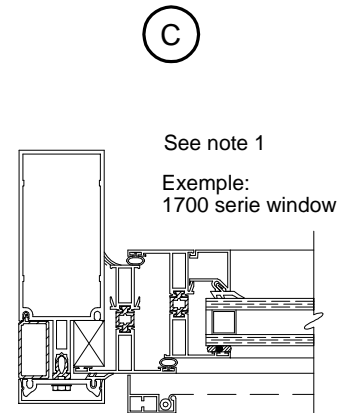
## HEAD AND JAMB SECTIONS



**3603-3630-3610**  
file F310JD

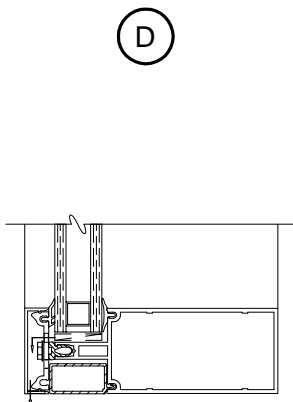


**3603-3630-3610**  
file F310JY

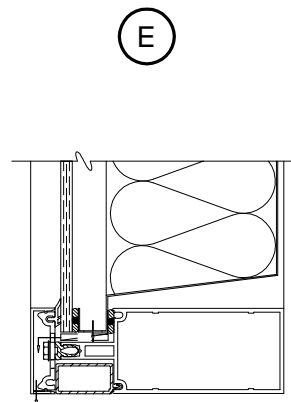


**3603-3630-3610**  
file F310JK

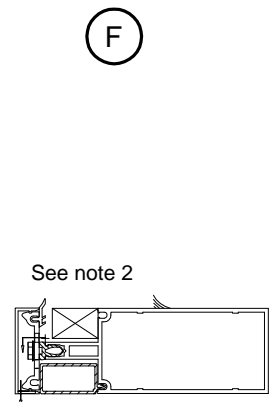
## SILL SECTIONS



**3603-3630-3610**  
file F310DB



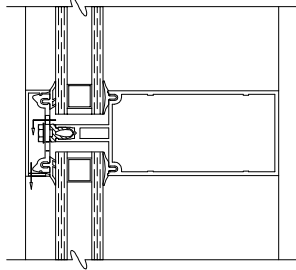
**3603-3630-3610**  
file F310YB



**3603-3630-3610**  
file F310KB

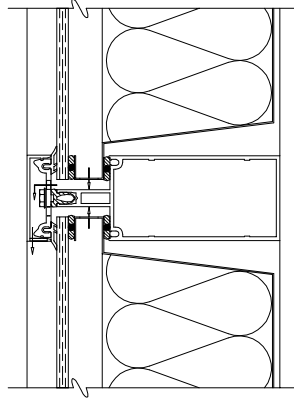
## HORIZONTAL MULLION SECTIONS

G



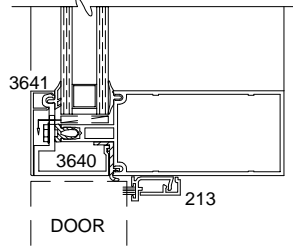
**3603-3630-3610**  
file F310DD

H



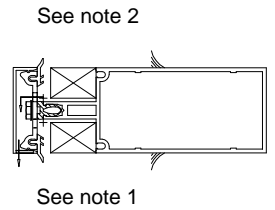
**3603-3630-3610**  
file F310YY

I



**3603-3640-3641**  
file F341DU2

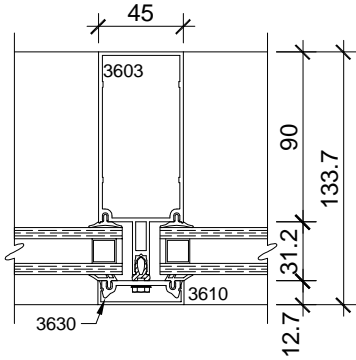
J



**3603-3630-3610**  
file F310KK

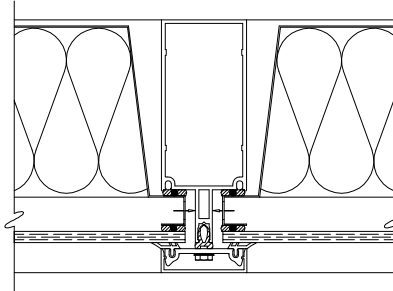
## VERTICAL MULLION SECTIONS

(L)



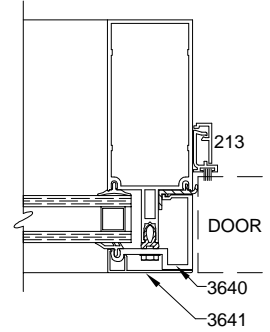
**3603-3630-3610**  
file F310DDH

(M)



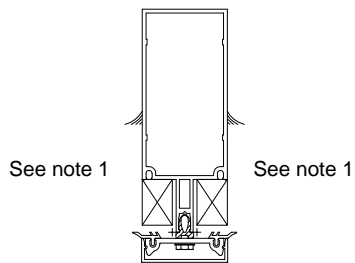
**3603-3630-3610**  
file F310YYH

(N)



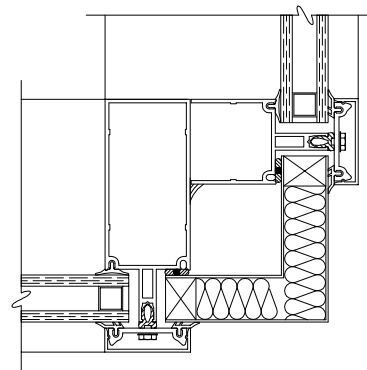
**3603-3640-3641**  
file F341DU2H

(P)

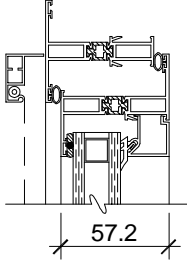
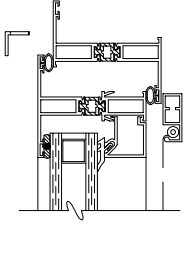
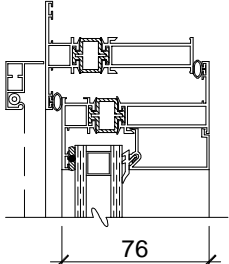
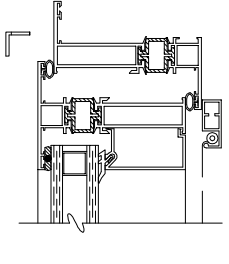
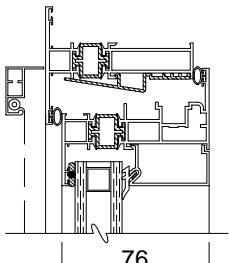


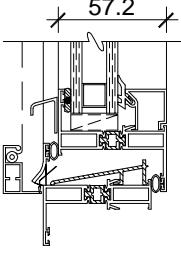
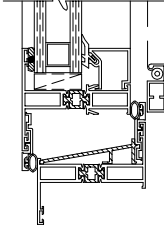
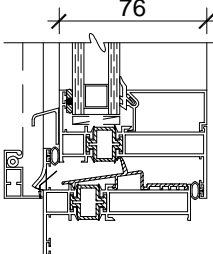
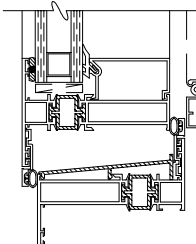
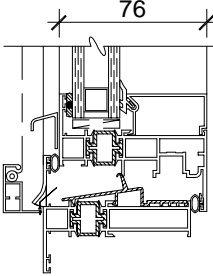
**3603-3630-3610**  
file F310KKH

(O)

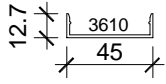


**3603-3630-3610**  
file F310DDQE

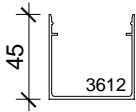
DETAILS OF HEAD AND JAMB FOR OPENING WINDOWS		
	OPENING IN	OPENING OUT
SERIES 1700	 <p style="text-align: center;">57.2</p> <div style="border: 1px solid black; padding: 5px; width: fit-content; margin: 10px auto;"> <p><b>70-226</b> file 226ViT file M226ViT</p> </div>	 <div style="border: 1px solid black; padding: 5px; width: fit-content; margin: 10px auto;"> <p><b>70-221</b> file 221VET file M221VET</p> </div>
SERIES 1800	 <p style="text-align: center;">76</p> <div style="border: 1px solid black; padding: 5px; width: fit-content; margin: 10px auto;"> <p><b>80-314</b> file 314ViT file M314ViT</p> </div>	 <div style="border: 1px solid black; padding: 5px; width: fit-content; margin: 10px auto;"> <p><b>80-313</b> file 313VET file M313VET</p> </div>
SERIES 1950	 <p style="text-align: center;">76</p> <div style="border: 1px solid black; padding: 5px; width: fit-content; margin: 10px auto;"> <p><b>95-314</b> file S314VOT file MS314VOT</p> </div>	<p>DETAILS FOR BOTTOM HUNG OPENING IN VENTS (BHOI) ALSO APPLY TO CASEMENT VENTS OPENING IN (SHOI).</p> <p>DETAILS FOR AWNING VENTS (THOO) ALSO APPLY TO CASEMENT VENTS OPENING OUT (SHOO).</p> <p>TO ADD AN OPERATING WINDOW DETAIL WITH "MAXSEAL" SYSTEM. USE FILE NAME BEGINNING WITH LETTER "M" EX : M226ViT</p>

<b>DETAILS OF SILL FOR WINDOWS OPENING OUT</b>		
	OPENING IN	OPENING OUT
<b>SERIES 1700</b>	 <p><b>70-226</b> file 226ViB file M226ViB</p>	 <p><b>70-221</b> file 221VEB37 file M221VEB7</p>
<b>SERIES 1800</b>	 <p><b>80-314</b> file 314ViB file M314ViB</p>	 <p><b>80-313</b> file 313VEB37 file M313VEB7</p>
<b>SERIES 1950</b>	 <p><b>95-314</b> file S314VOB file MS314VOB</p>	<p>DETAILS FOR BOTTOM HUNG OPENING IN VENTS (BHOI) ALSO APPLY TO CASEMENT VENTS OPENING IN (SHOI).</p> <p>DETAILS FOR AWNING VENTS (THOO) ALSO APPLY TO CASEMENT VENTS OPENING OUT (SHOO).</p> <p>TO ADD AN OPERATING WINDOW DETAIL WITH "MAXSEAL" SYSTEM. USE FILE NAME BEGINNING WITH LETTER "M" EX : M226VIT</p>

VERTICAL  
CAPS

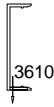


file 3610M

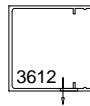


file 3612M

HORIZONTAL  
CAPS



file 3610MPN

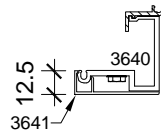


file 3612MPN

VERTICAL  
PRESSURE PLATES



file 3630M

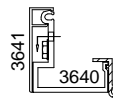


file 3641ASS

HORIZONTAL  
PRESSURE PLATES

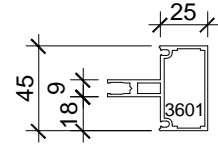


file 3630MPN

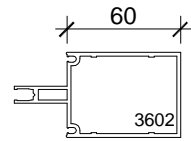


file 3641ASSH

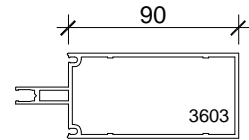
VERTICAL AND HORIZONTAL  
MULLIONS



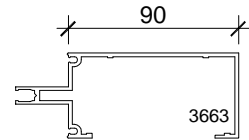
file 3601M



file 3602M

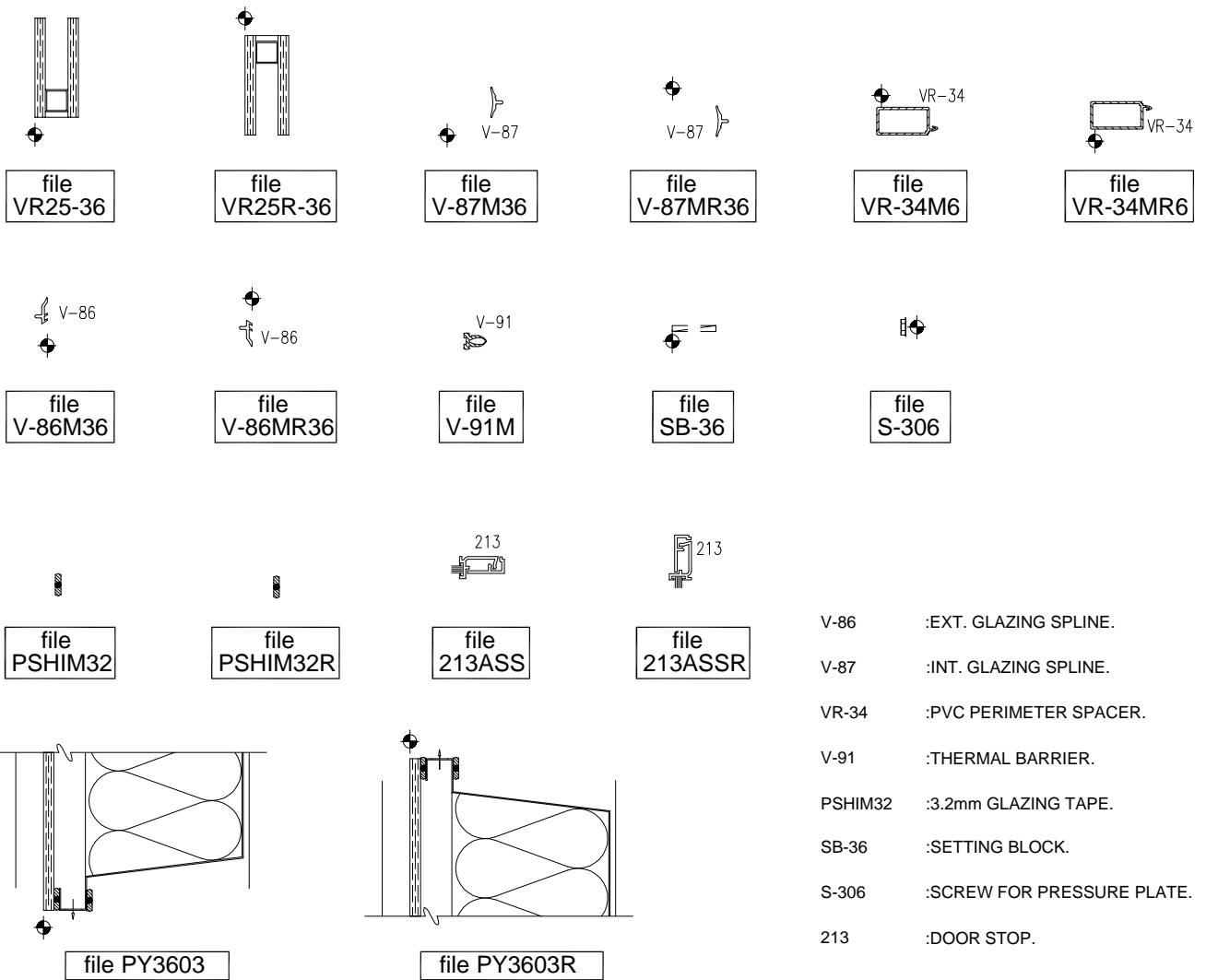


file 3603M



file 3663M

## OTHER COMPONENTS



### TYPICAL ASSEMBLY

