

LEGEND

 : NAME FOR AUTOCAD FILES

GENERAL NOTE

-DETAILS ARE SUBJECT TO CHANGE WITHOUT NOTICE.
 -DIMENSIONS WILL NOT SHOW ON THESE FILES. PLEASE ADD THEM TO YOUR DRAWING ACCORDINGLY.

COMMON INSERTION POINT

-TO CREATE A NEW ASSEMBLY, USE THE SAME INSERT POINT AS THE FIRST PART INSERTED, BY MEANS OF "OBJECT SNAP" , "INSERT".

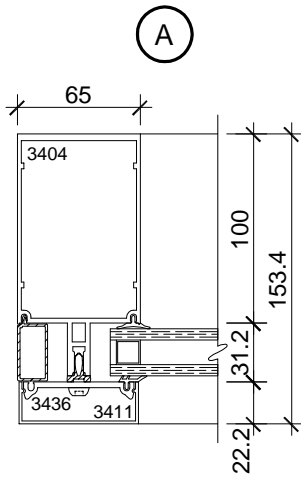
NOTE 1

TO ADD AN OPERATING WINDOW DETAIL SERIES.
 -1700 OPENING IN USE FILE 226VIT OR M226VIT
 -1700 OPENING OUT USE FILE 221VET OR M221VET
 -1800 OPENING IN USE FILE 314VIT OR M314VIT
 -1800 OPENING OUT USE FILE M13VET OR M313VET
 -1950 TILT AND TURN USE FILE S314VOT OR MS314VOT

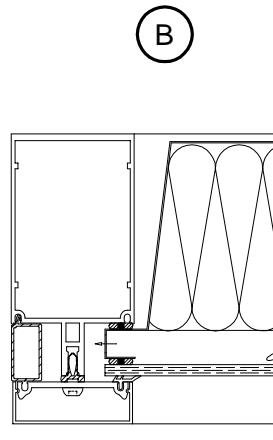
NOTE 2

TO ADD AN OPERATING WINDOW DETAIL SERIES:
 -1700 OPENING IN USE FILE 226VIB OR M226VIB
 -1700 OPENING OUT USE FILE 221VEB37 OR M221VEB7
 -1800 OPENING IN USE FILE 314VIB OR M314VIB
 -1800 OPENING OUT USE FILE 313VEB37 OR M313VEB7
 -1950 TILT AND TURN USE FILE S314VOB OR MS314VOB

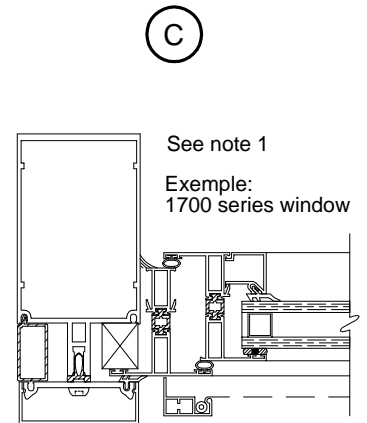
HEAD AND JAMB SECTIONS



3404-3436-3411
file D411JD

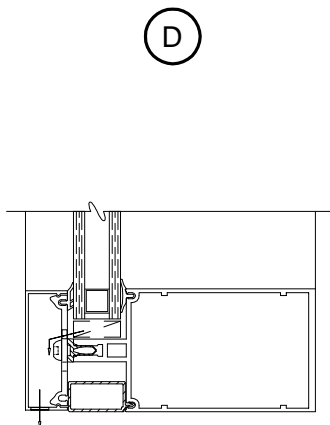


3404-3436-3411
file D411JY

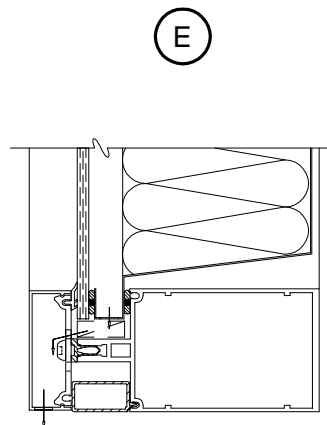


3404-3436-3411
file D411JK

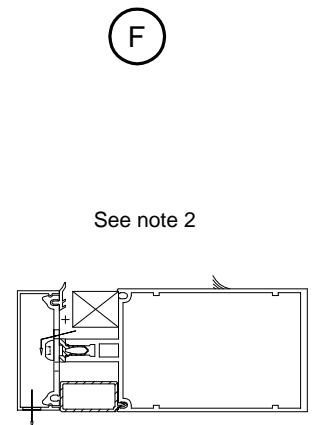
SILL SECTIONS



3404-3436-3411
file D411DB



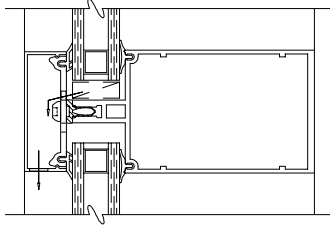
3404-3436-3411
file D411YB



3404-3436-3411
file D411KB

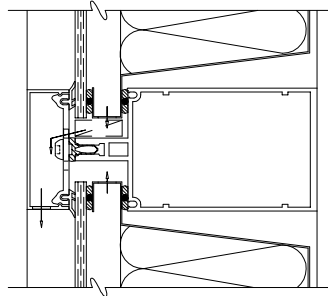
HORIZONTAL MULLION SECTIONS

(G)



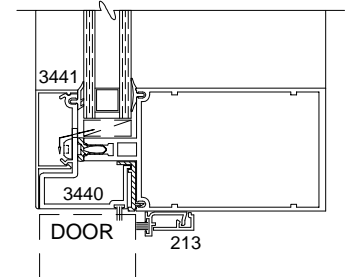
3404-3436-3411
file D411DD

(H)



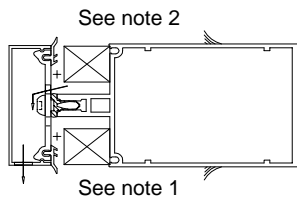
3404-3436-3411
file D411YY

(I)



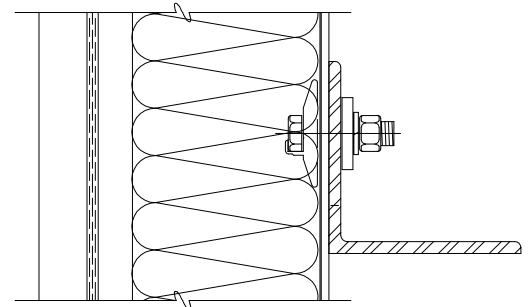
3404-3440-3441
file D441DU2

(J)



3404-3436-3411
file D411KK

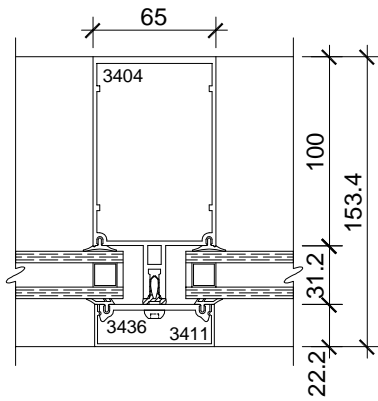
(K)



3404-3436-3411
file D411YN44

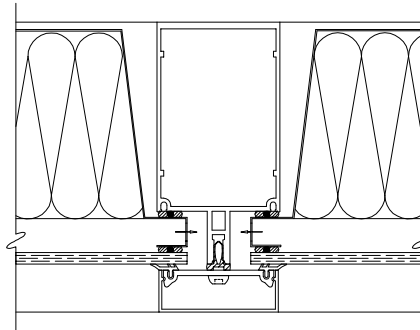
VERTICAL MULLION SECTIONS

(L)



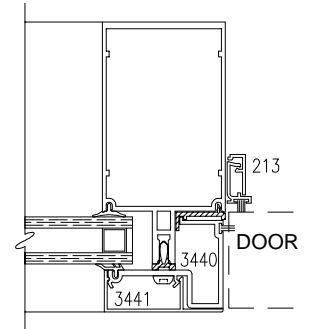
3404-3436-3411
file D411DDH

(M)



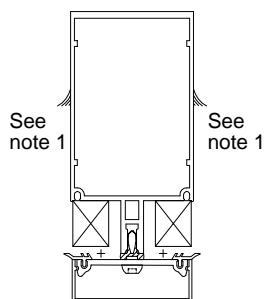
3404-3436-3411
file D411YYH

(N)



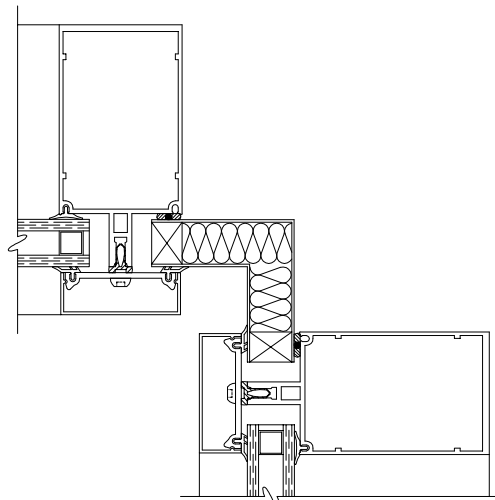
3404-3440-3441
file D411DU2H

(O)

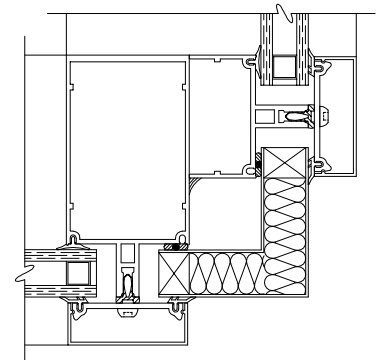


3404-3436-3411
file D411KKH

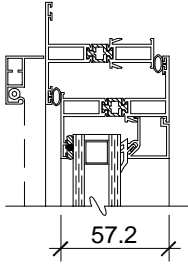
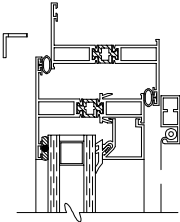
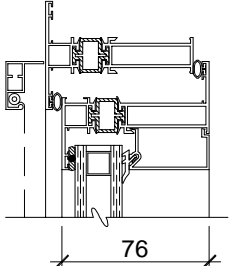
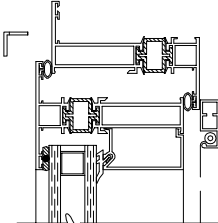
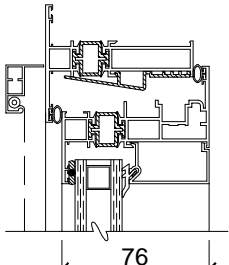
(P)

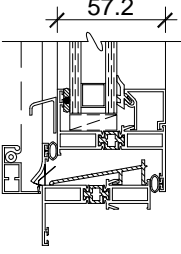
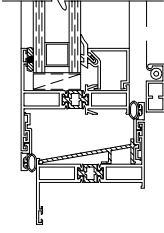
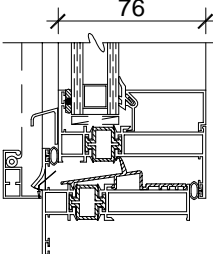
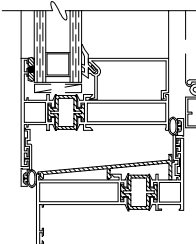
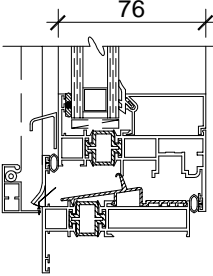


3404-3436-3411
file D411DDQi

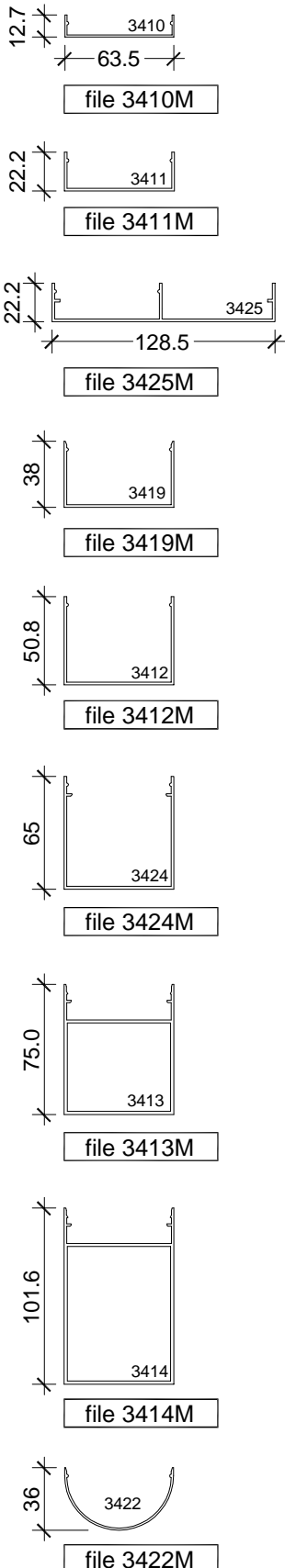


3404-3436-3411
file D411DDQE

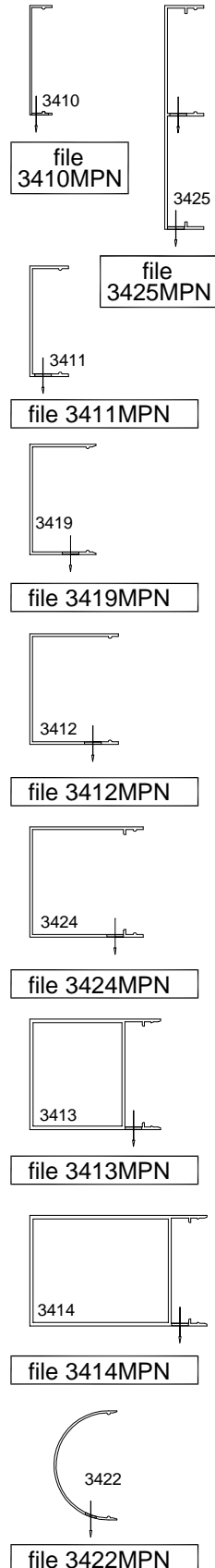
DETAILS OF HEAD AND JAMB FOR OPENING WINDOWS		
	OPENING IN	OPENING OUT
SERIES 1700	 <p style="text-align: center;">57.2</p> <div style="border: 1px solid black; padding: 5px; width: fit-content; margin: 0 auto;"> <p>70-226 file 226ViT file M226ViT</p> </div>	 <div style="border: 1px solid black; padding: 5px; width: fit-content; margin: 0 auto;"> <p>70-221 file 221VET file M221VET</p> </div>
SERIES 1800	 <p style="text-align: center;">76</p> <div style="border: 1px solid black; padding: 5px; width: fit-content; margin: 0 auto;"> <p>80-314 file 314ViT file M314ViT</p> </div>	 <div style="border: 1px solid black; padding: 5px; width: fit-content; margin: 0 auto;"> <p>80-313 file 313VET file M313VET</p> </div>
SERIES 1950	 <p style="text-align: center;">76</p> <div style="border: 1px solid black; padding: 5px; width: fit-content; margin: 0 auto;"> <p>95-314 file S314VOT file MS314VOT</p> </div>	<p>DETAILS FOR BOTTOM HUNG OPENING IN VENTS (BHOI) ALSO APPLY TO CASEMENT VENTS OPENING IN (SHOI).</p> <p>DETAILS FOR AWNING VENTS (THOO) ALSO APPLY TO CASEMENT VENTS OPENING OUT (SHOO).</p> <p>TO ADD AN OPERATING WINDOW DETAIL WITH "MAXSEAL" SYSTEM. USE FILE NAME BEGINNING WITH LETTER "M" EX : M226ViT</p>

DETAILS OF SILLS FOR OPENING WINDOWS		
	OPENING IN	OPENING OUT
SERIES 1700	 <p>70-226 file 226ViB file M226ViB</p>	 <p>70-221 file 221VEB37 file M221VEB7</p>
SERIES 1800	 <p>80-314 file 314ViB file M314ViB</p>	 <p>80-313 file 313VEB37 file M313VEB7</p>
SERIES 1950	 <p>95-314 file S314VOB file MS314VOB</p>	<p>DETAILS FOR BOTTOM HUNG OPENING IN VENTS (BHOI) ALSO APPLY TO CASEMENT VENTS OPENING IN (SHOI).</p> <p>DETAILS FOR AWNING VENTS (THOO) ALSO APPLY TO CASEMENT VENTS OPENING OUT (SHOO).</p> <p>TO ADD AN OPERATING WINDOW DETAIL WITH "MAXSEAL" SYSTEM. USE FILE NAME BEGINNING WITH LETTER "M" EX : M226VIT</p>

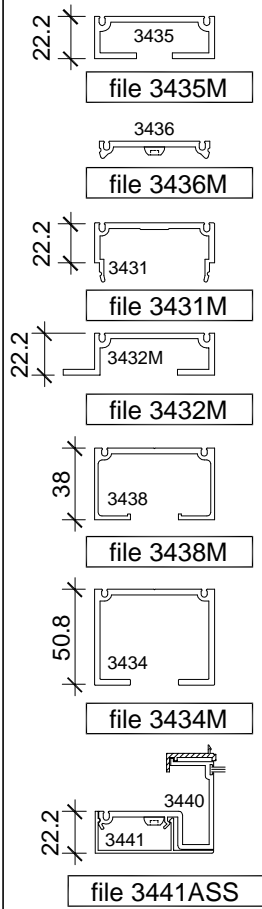
VERTICAL CAPS



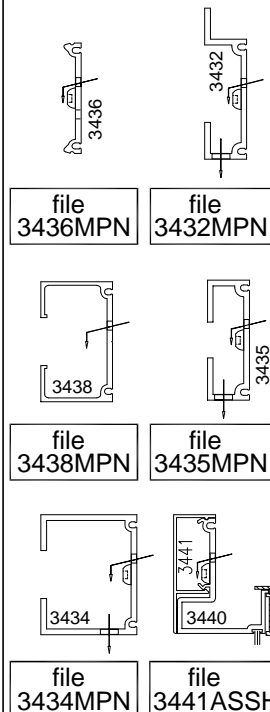
HORIZONTAL CAPS



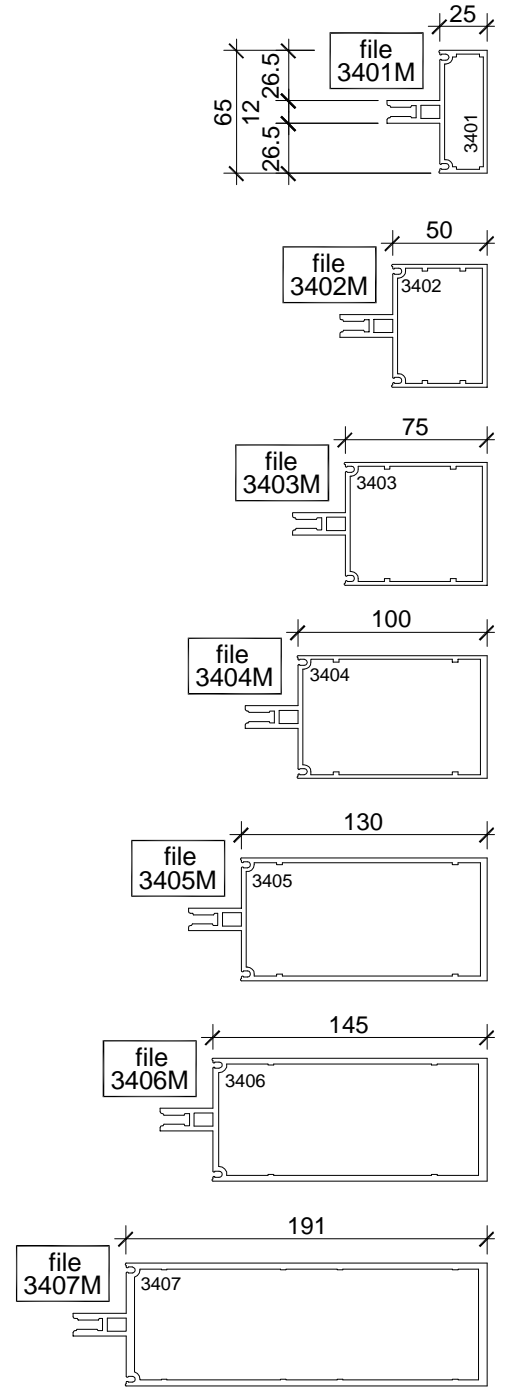
VERTICAL PRESSURE PLATES



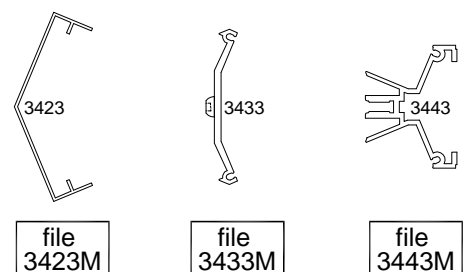
HORIZONTAL PRESSURE PLATES



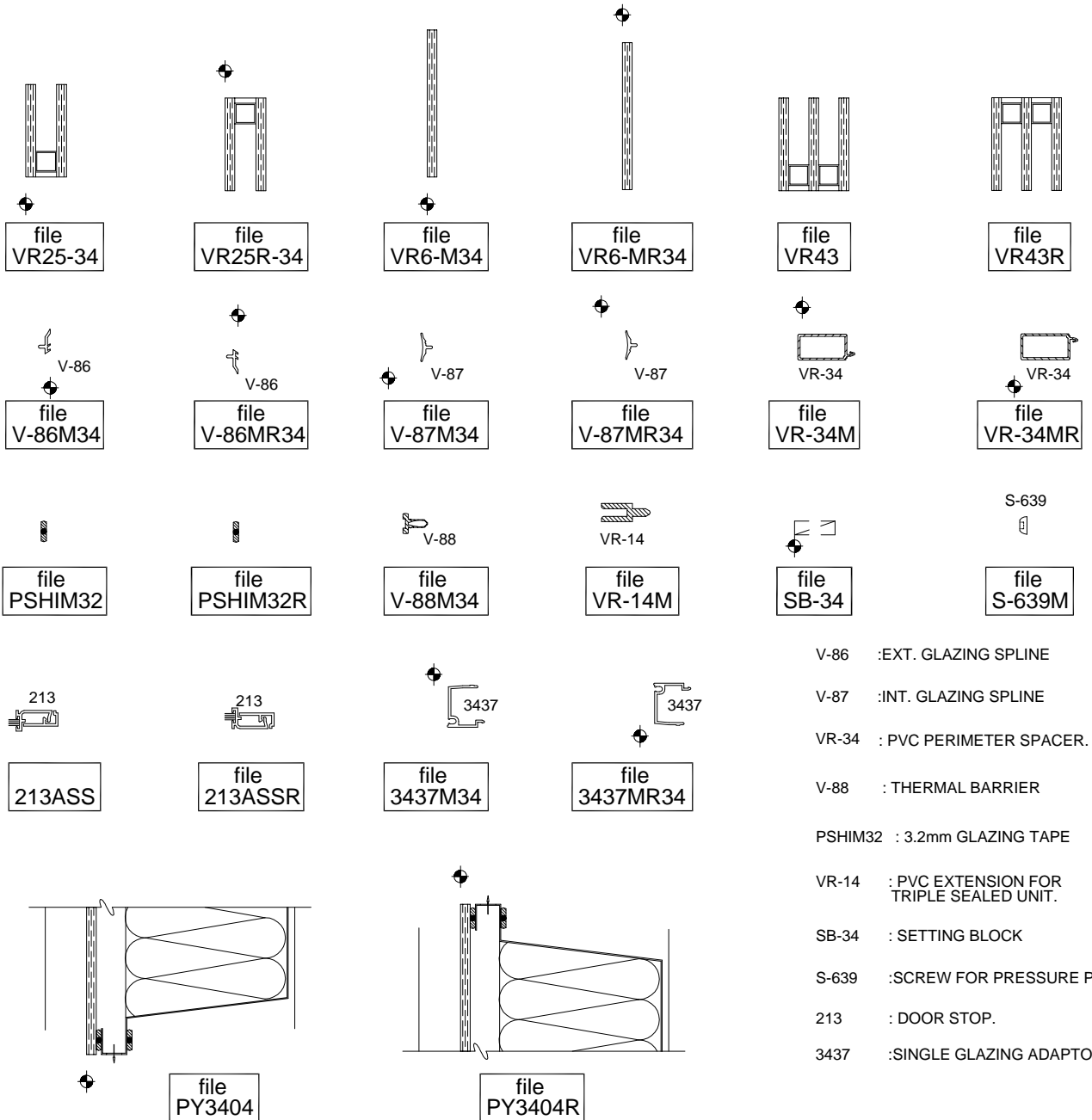
VERTICAL AND HORIZONTAL MULLIONS



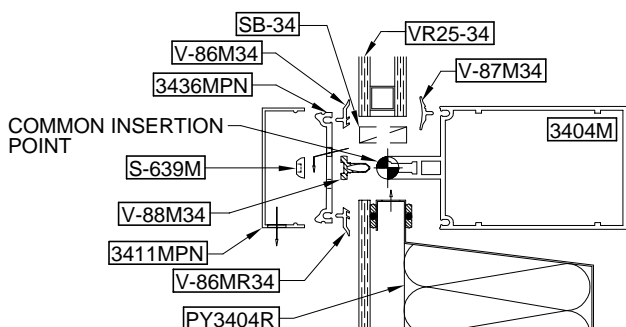
45° CORNER



OTHER COMPONENTS



TYPICAL ASSEMBLY



INSULATED DOOR SUB-FRAME

